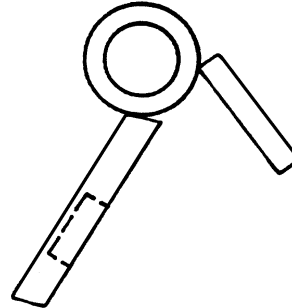


Pauls & Springs Kit - Replacement Guide 62185019

For questions about this product, or for parts inquiries, please contact our Customer Service Center listed below.

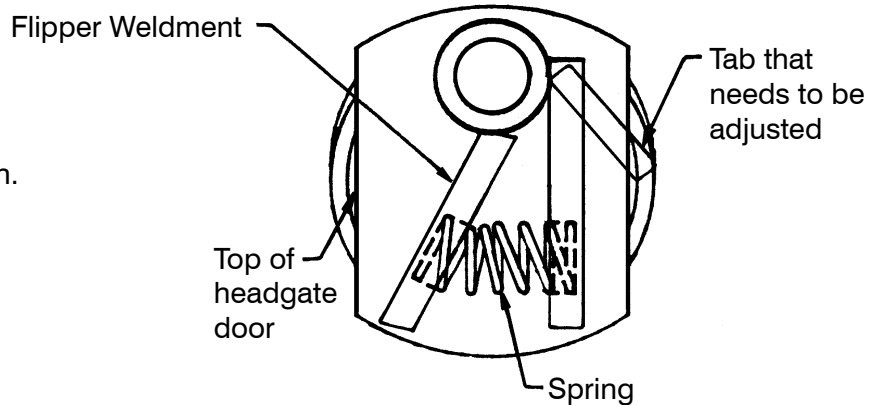
STEP #1

Install Flipper Weldment onto the top of the headgate door as shown.



STEP #2

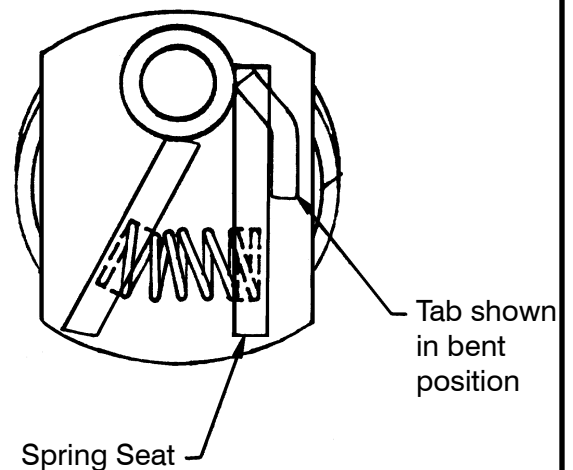
Install spring into assembly as shown.



STEP #3

Bend tab against Spring Seat.

CAUTION: Bend tab a little at a time, each time the tab is adjusted check operation of the doors to make sure they work or need more adjustment. If tab is bent too much and then adjusted back it may break off.



Behlen[®]
COUNTRY

CUSTOMER SERVICE CENTER

PO Box 569
Columbus, NE
68602-0569

Ph: 800-447-2751
Fax: (402) 563-7447
www.behlencountry.com