

Crowd Alley Headgate Stand 46180242

Hardware Kit 46900038

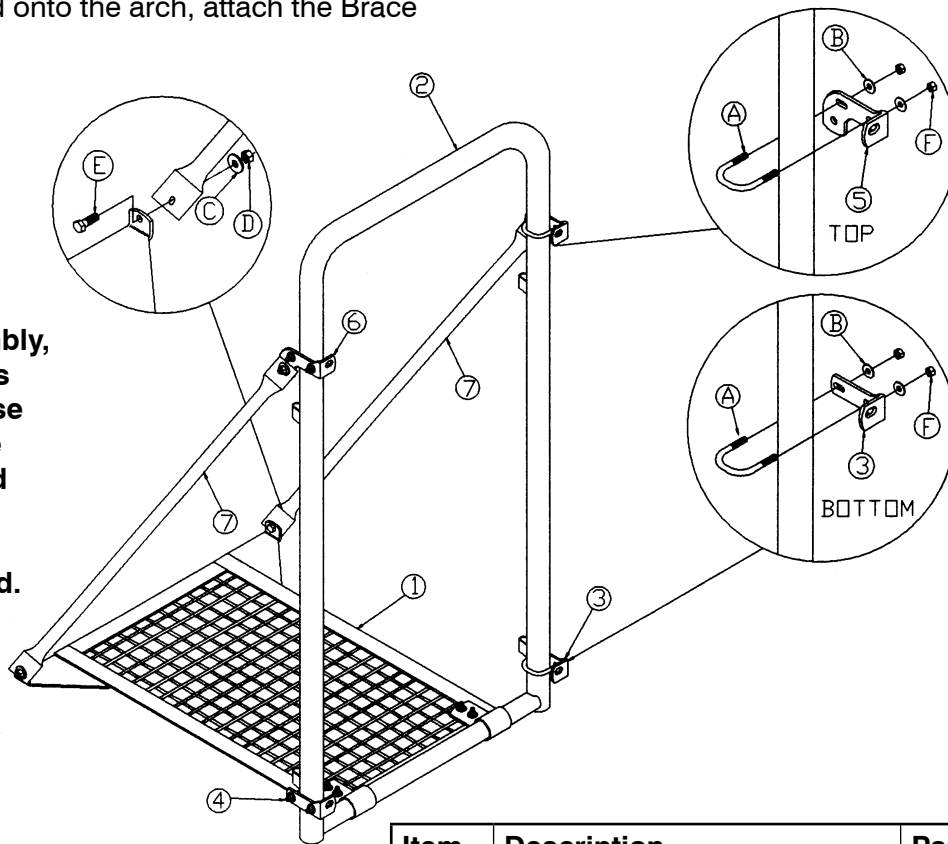
For questions about this product, or for parts inquiries, please contact our Customer Service Center listed below.

1. Position the Headgate stand at the end of the Crowd Alley. Next, attach the ends of the crowd alley panels to the four welded hookups located on the arch of the headgate stand. Then bolt the headgate brackets to the arch using the U-bolts. After the brackets are assembled onto the arch, attach the Brace

Tubes to the top brackets and to the formed tabs located on the floor of the Headgate Stand.

2. The Headgate can now be attached to the Headgate Stand.

NOTE: For easier assembly, leave all bolts and nuts loose until after the headgate and crowd alley panels have been installed.



| Item | Description | Qty. |
|------|-----------------------------|------|
| A | U-bolt 3/8" x 2.5" x 3.125" | 4 |
| B | Washer, Wrought 3/8" | 8 |
| C | Washer, Wrought 1/2" | 8 |
| D | Nut, Hex - Lock 1/2" | 4 |
| E | Screw, Hex 1/2" x 1 1/2" | 4 |
| F | Nut, Hex - Lock 3/8" | 8 |

| Item | Description | Part No. | Qty. |
|------|----------------------------|----------|------|
| 1 | Floor, Headgate Stand | 46410052 | 1 |
| 2 | Arch, Frame Headgate Stand | 46410062 | 1 |
| *** | HARDWARE BOX | 46900038 | 1 |
| 3 | Bracket, Bottom Left-hand | 46601749 | 1 |
| 4 | Bracket, Bottom Right-hand | 46601759 | 1 |
| 5 | Bracket, Top Left-hand | 46601769 | 1 |
| 6 | Bracket, Top Right-hand | 46601779 | 1 |
| 7 | Tube, Brace 1-5/8" | 46601782 | 2 |

Behlen® COUNTRY

CUSTOMER SERVICE CENTER

PO Box 569
Columbus, NE
68602-0569

Ph: 800-447-2751
Fax: (402) 563-7447
www.behlencountry.com