

M-Series Vertical Tailgate Assembly - 62175792

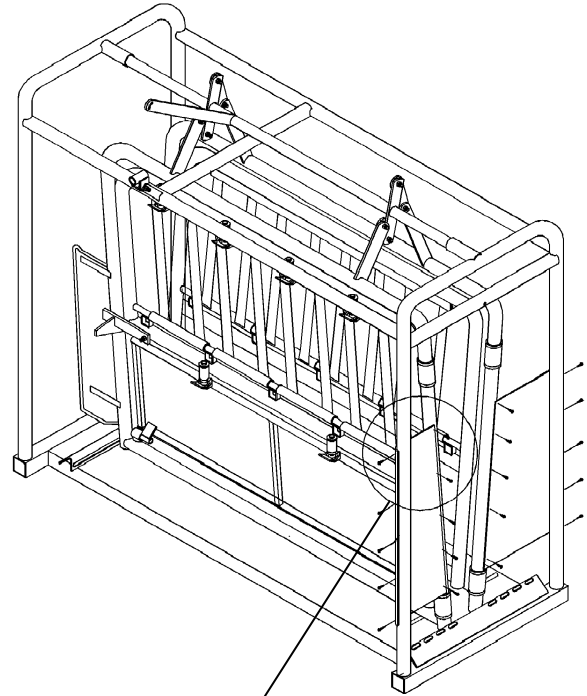
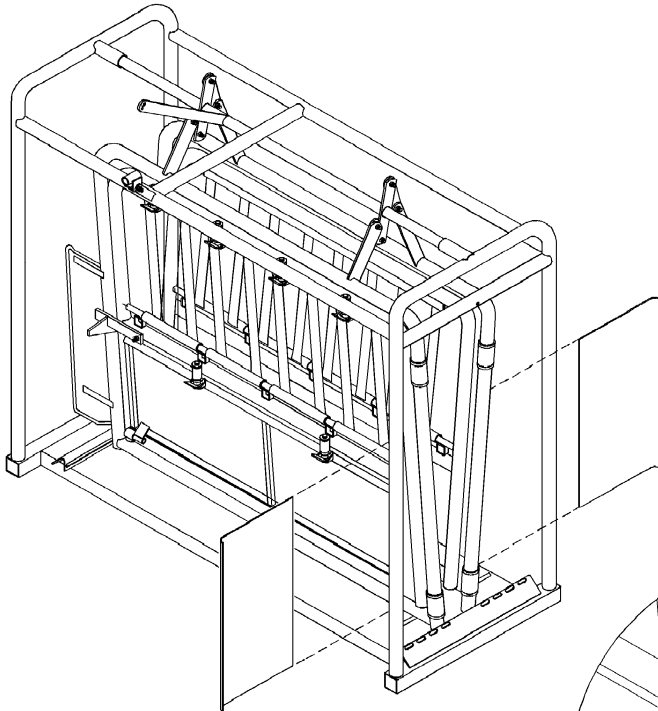
**Hardware Kit
62900158**

THANK YOU FOR PURCHASING THIS PRODUCT

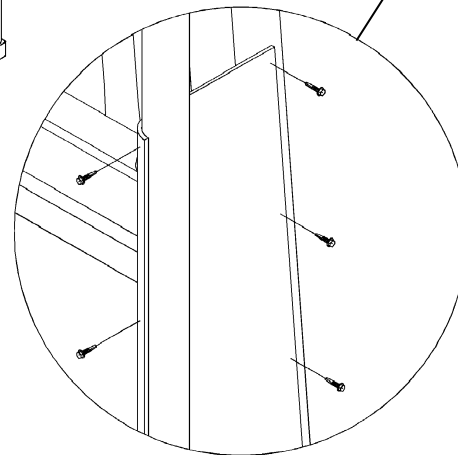
For questions about this product, or for parts inquiries,
please contact our Customer Service Center listed below.

STEP 1

- 1) Adjust the bottom of the squeeze sides to the narrowest setting.
- 2) Pull on the squeeze chain so that the side squeeze panels are standing almost vertical.
- 3) Attach the rubber blinder sheets to the rear of the chute. Do this for both sides. (See Detail A below.) Position the blinder above the bottom door hinge.



DETAIL A



- 4) Space the self-drilling screws at five equally spaced locations at each end of the rubber sheet.
- 5) When attaching the rubber sheet to the outside frame of the squeeze chute, wrap the sheet around the side as shown in the diagram.

NOTE: Wrap the sheet around the pipe as shown, only on the outside of the frame.

The sheet will want to buckle after each screw is put in, so stretch the rubber slightly before putting in the next screw. This will help keep the sheet laying flush on the pipe.

**Behlen[®]
COUNTRY**

CUSTOMER SERVICE CENTER

PO Box 569
Columbus, NE
68602-0569

Ph: 800-447-2751
Fax: (402) 563-7447
www.behlencountry.com

STEP 2

- 1) Attach the vertical tailgate. The tailgate will attach in three locations. Use a 1/2" x 5" bolt for the top and use two 1/2" x 1/4" bolts for the bottom. (See diagrams below.)
- 2) Undo the rope and string the rope through the top pulley swivel and then route the rope toward the front of the chute.

BOLTS & NUTS PARTS LIST		
Ref. No.	Description	Qty.
A	Bolt 1/2" x 5" long	1
B	Bolt 1/2" x 1-1/4" long	2
C	Nut, Lock 1/2"	3
D	1/2" Washer	2

