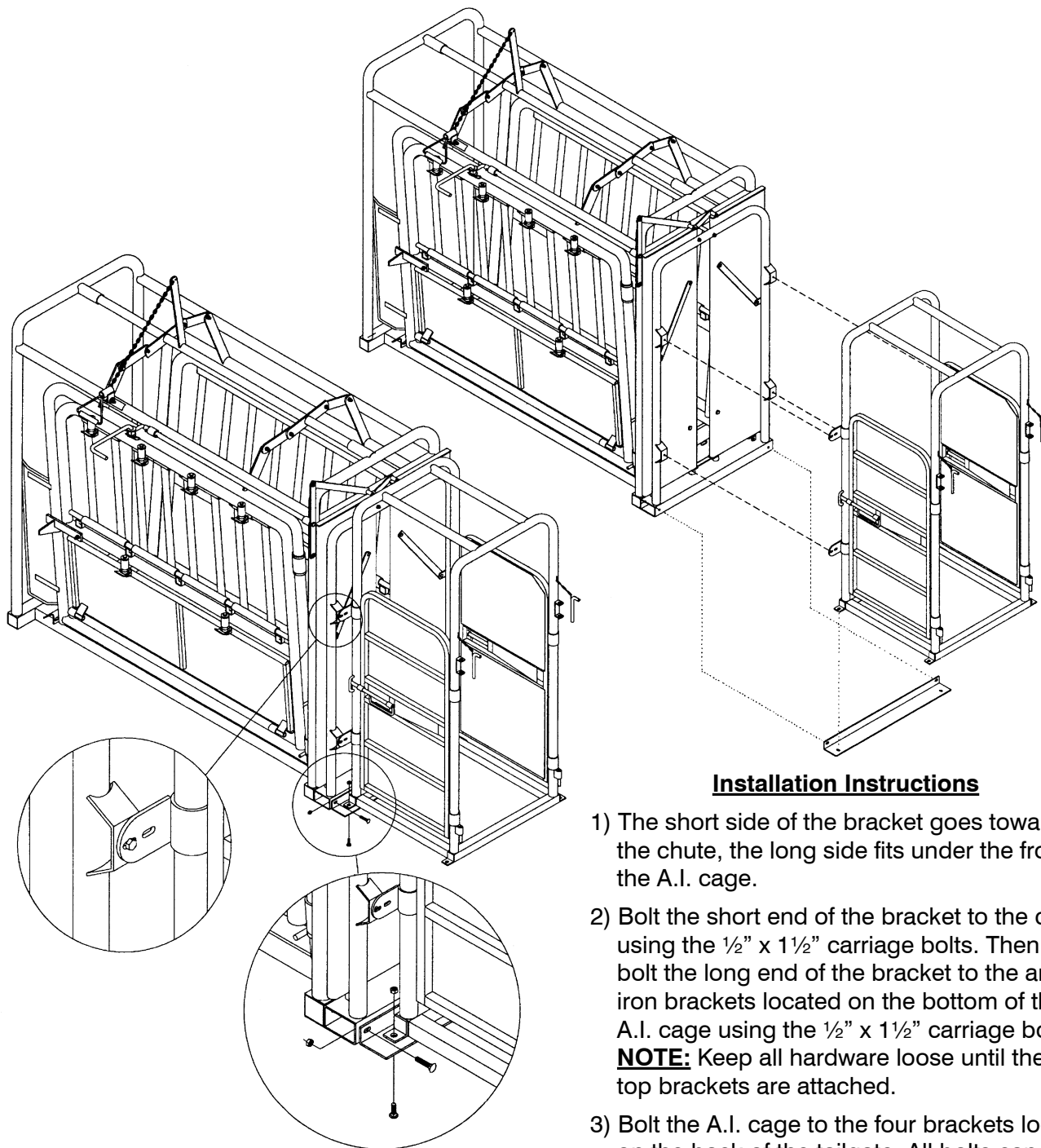


A.I. CAGE TRANSPORT BRACKET

THANK YOU FOR PURCHASING THIS PRODUCT

For questions about this product, or for parts inquiries, please contact our Customer Service Center listed below.



Installation Instructions

- 1) The short side of the bracket goes toward the chute, the long side fits under the front of the A.I. cage.
- 2) Bolt the short end of the bracket to the chute using the $\frac{1}{2}$ " x $1\frac{1}{2}$ " carriage bolts. Then bolt the long end of the bracket to the angle iron brackets located on the bottom of the A.I. cage using the $\frac{1}{2}$ " x $1\frac{1}{2}$ " carriage bolts. **NOTE:** Keep all hardware loose until the four top brackets are attached.
- 3) Bolt the A.I. cage to the four brackets located on the back of the tailgate. All bolts can now be tightened.

Behlen[®]
COUNTRY

CUSTOMER SERVICE CENTER

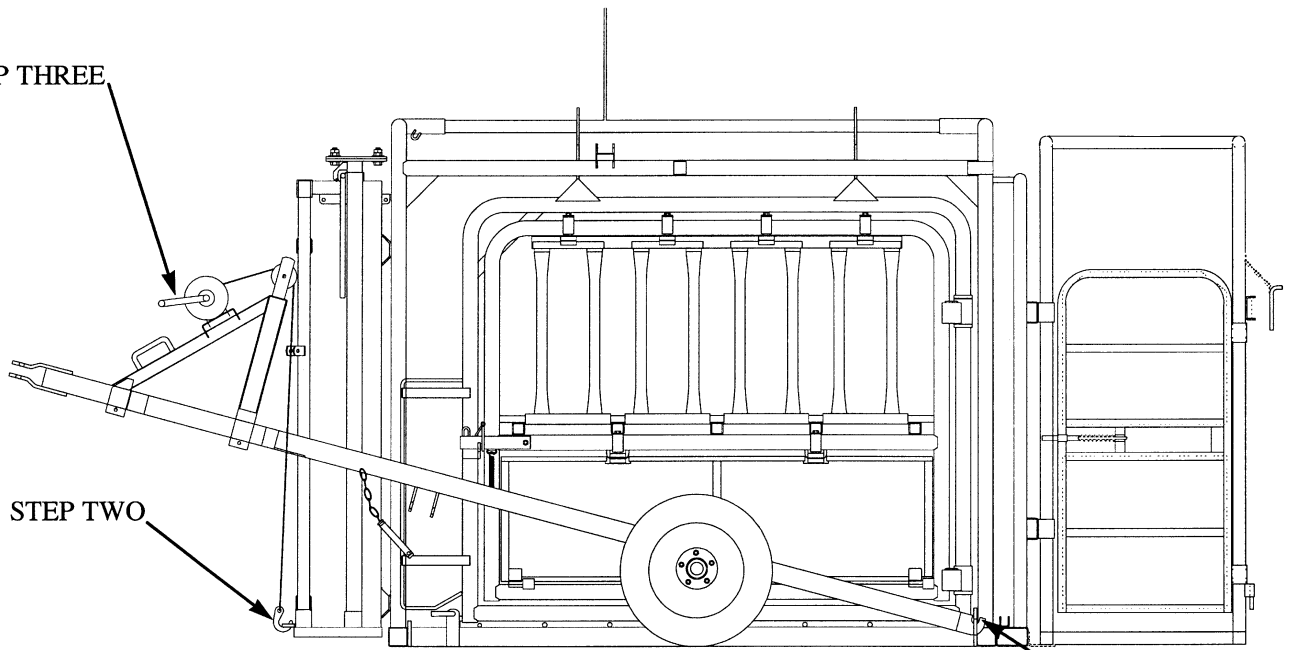
PO Box 569
Columbus, NE
68602-0569

Ph: 800-447-2751
Fax: (402) 563-7447
www.behlencountry.com

STEP THREE

STEP TWO

STEP ONE



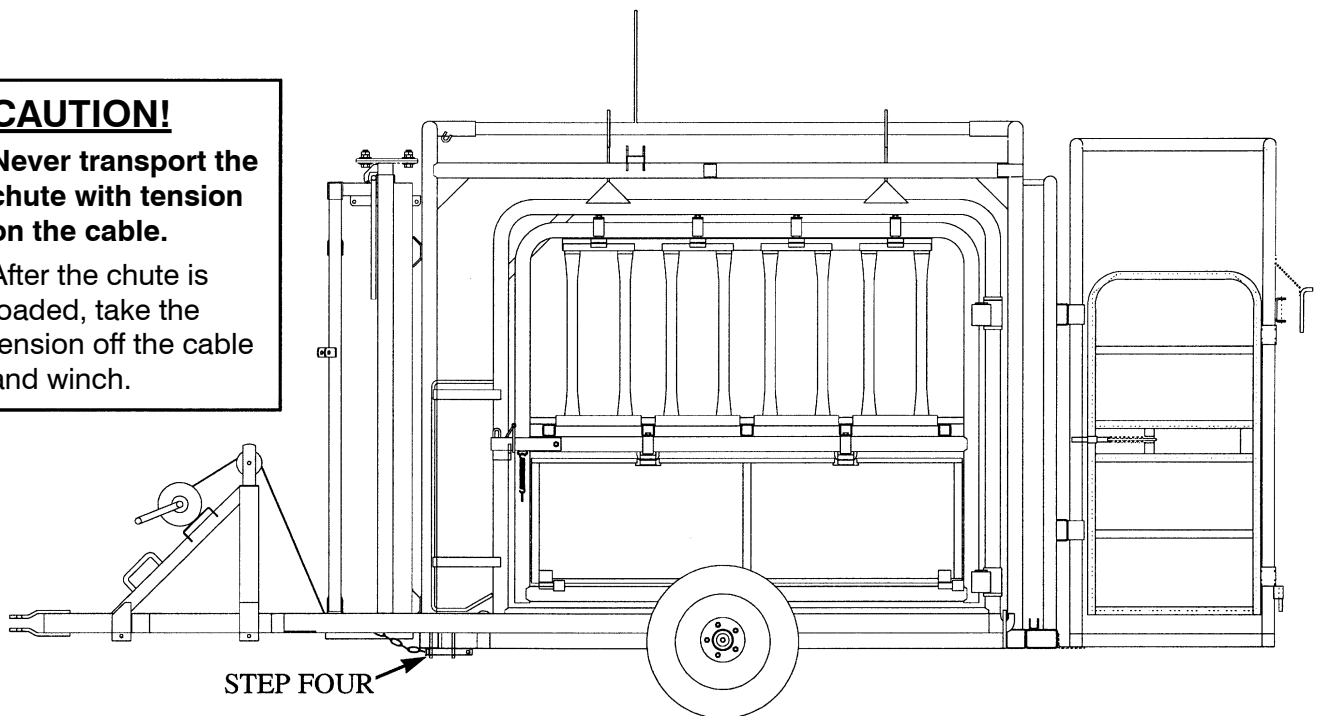
STEPS TO LOAD THE CHUTE ONTO THE TRAILER

- 1) Back the trailer into the slotted brackets located at the rear of the chute.
- 2) Hook the winch cable to the bracket located on the headgate base.
- 3) Turn the winch handle until the chute is flush against the bottom of the trailer.
- 4) Slide the pins into the brackets and then insert the safety clips (shown below).

CAUTION!

Never transport the chute with tension on the cable.

After the chute is loaded, take the tension off the cable and winch.



STEP FOUR