

# Poly Corner Feeder 78110067

**Hardware Kit  
78900028**

## THANK YOU FOR PURCHASING THIS PRODUCT

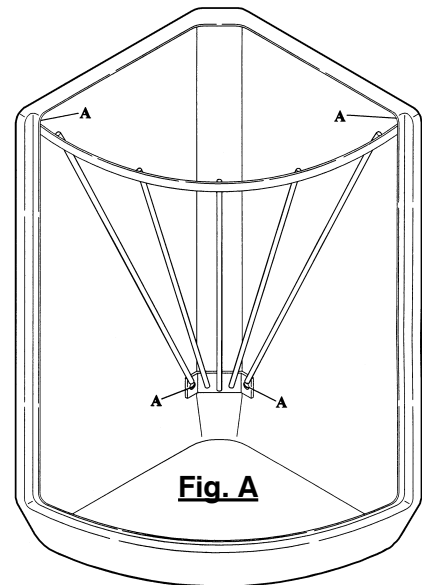
Behlen Country has been in the business of providing quality products for more than 75 years. Our products will provide many years of service when maintained by the owner and used in accordance with the capabilities of the product. For questions about this product, or for parts inquiries, please contact our Customer Service Center listed below.

### Use the following steps when mounting the Poly Corner Feeder permanently into a corner: (SEE FIG. A)

1. Remove the four 5/16" x 3/4" Carriage Bolts and 5/16" whiz nuts that hold the Hay Rack onto the Poly Corner Feeder.
2. Position the Poly Corner Feeder in the stall corner at the desired height so that the animal can eat comfortably.
3. Reposition the Hay Rack onto the Poly Corner Feeder just like you received it and lag through the four holes in the Hay Rack and the original holes in the Poly Corner Feeder at locations labeled "A" using four 5/16" x 1-1/2" lag screws (**not provided**).

**NOTE: By lagging through the Hay Rack and the Poly Corner Feeder you will get the best support and a solid installation.**

4. If your wall does not match the bolt pattern of the Hay Rack, leave the Hay Rack assembled on the Poly Corner Feeder and using the four 5/16" Fender Washers provided in this package and four 5/16" x 1-1/2" lag screws (**not provided**), lag through the Poly Corner Feeder as close to the Hay Rack bolting points as possible.



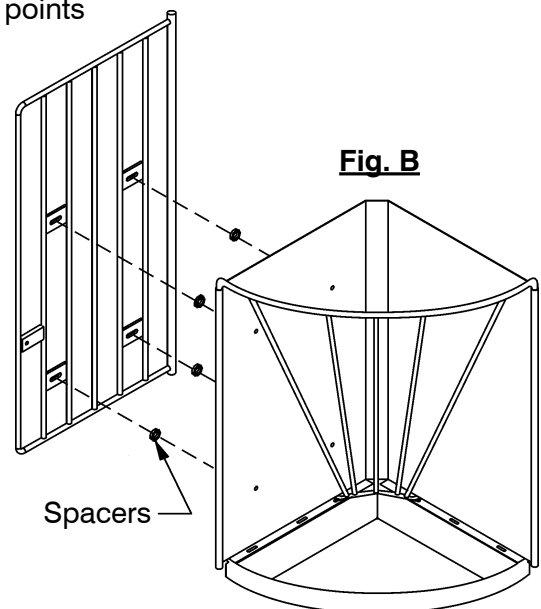
**Fig. A**

### Instructions for mounting the Poly Corner Feeder onto a stall feed door:

Facing the stall front from the outside -

When mounting the Poly Corner Feeder on a stall front with the sliding door on the right and the feeder door on the left, use (4) nylon spacers #3948191 between the feeder door and the Poly Corner Feeder as shown in FIG. B.

If the sliding door is on the left and the feeder door is on the right, no spacers are required.



**Fig. B**

**Behlen<sup>®</sup>  
COUNTRY**

## CUSTOMER SERVICE CENTER

PO Box 569  
Columbus, NE  
68602-0569

Ph: 800-447-2751  
Fax: (402) 563-7447  
[www.behlencountry.com](http://www.behlencountry.com)