

Poly Wall Feeder PWF 78110147

Hardware Kit 78110079

THANK YOU FOR PURCHASING THIS PRODUCT

Behlen Country has been in the business of providing quality products for more than 75 years. Our products will provide many years of service when maintained by the owner and used in accordance with the capabilities of the product. For questions about this product, or for parts inquiries, please contact our Customer Service Center listed below.

Use the following steps when mounting a Poly Wall Feeder permanently to a wall: (SEE FIG. A)

1. Remove the two 5/16" x 3/4" Carriage Bolts and 5/16" whiz nuts that hold the Hay Rack (1) to the back of the Poly Wall Feeder (2).
2. Measure up 16" from the two holes where the Hay Rack was attached and using a 3/8" bit, drill out the two dimples in the back of the Wall Feeder.
3. After choosing the desired height of the feeder on the wall so that the animal can eat comfortably, lag through the two holes in the Hay Rack using 5/16" x 1 1/2" lag screws (3) (**Not provided**). Also fasten through the two drilled holes in the Feeder using 5/16" x 1 1/2" lag screws (3) (**Not provided**) and 5/16" fender washers (4), (Provided in the hardware package).

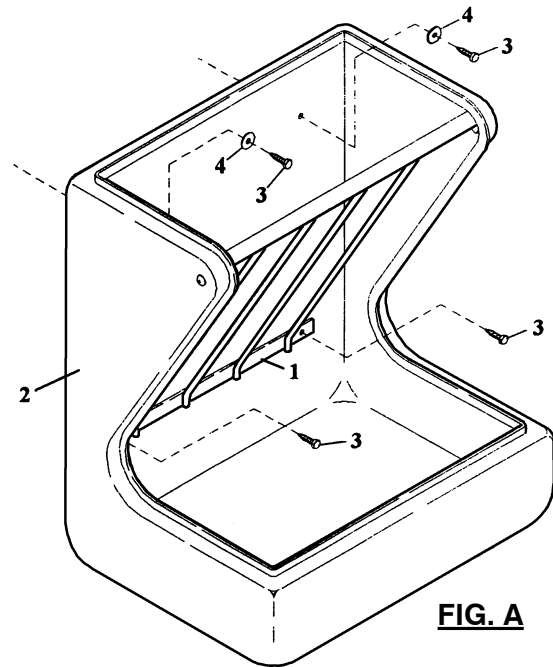


FIG. A

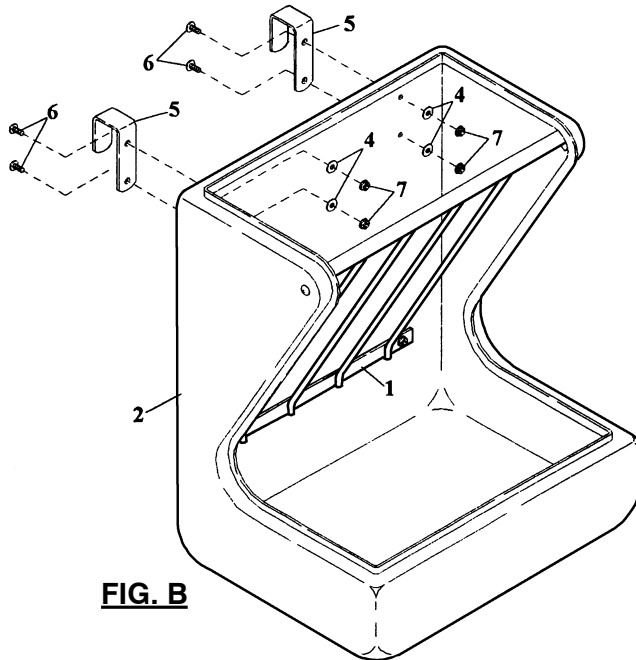


FIG. B

Use the following procedure when using the Poly Wall Feeder as a portable feeder to hang on corral, fence, gate or horse trailer: (SEE FIG. B)

1. Attach the hangers (5) as shown using 5/16 x 3/4" carriage bolts (6) from the outside and fasten on inside with 5/16" fender washers (4) and 5/16" whiz nuts (7).

Behlen[®]
COUNTRY

CUSTOMER SERVICE CENTER

PO Box 569
Columbus, NE
68602-0569

Ph: 800-447-2751
Fax: (402) 563-7447
www.behlencountry.com