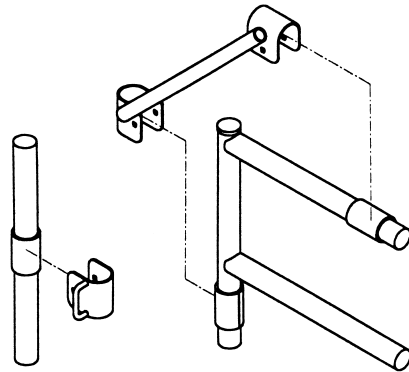


Horse Gate Latch 44112207

**Hardware Kit
44900037**

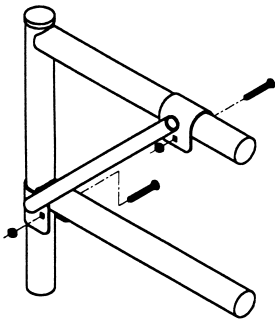
THANK YOU FOR PURCHASING THIS PRODUCT

For questions about this product, or for parts inquiries, please contact our Customer Service Center listed below.



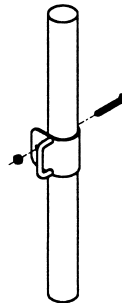
NOTE:

If you are applying the latch to a 1-5/8" tube, first place two 1-5/8" poly tube spacers on the tube, one under the u-brackets on the pipe sleeve and one under the u-bracket on the rod catch.



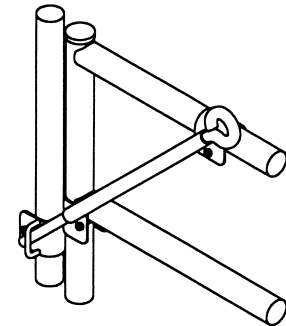
STEP 1:

- Place the pipe sleeve on either end of the gate.
- Fasten sleeve using two 3/8" x 2-3/4" carriage bolts and 3/8" hex nuts.



STEP 2:

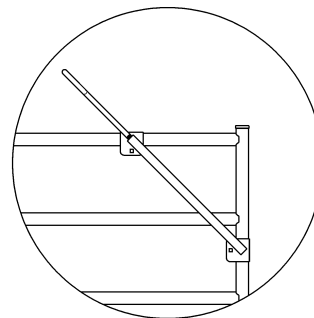
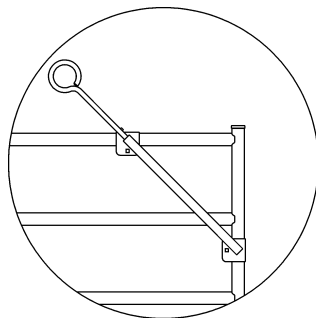
- Place the catch rod on desired end of the arch.- Fasten, but do not tighten, the catch rod using one 3/8" x 2-3/4" carriage bolt and 3/8" hex nut.



STEP 3:

- Place the latch rod in the pipe sleeve.
- Center the catch on the latch rod in the closed position.
- Now, tighten the catch rod on the arch.

The Latch Rod in this position will allow it to fall into the catch.



With the Latch Rod positioned as shown, it will hold itself in place and stay clear when the gate is swung open.

**Behlen[®]
COUNTRY**

CUSTOMER SERVICE CENTER

PO Box 569
Columbus, NE
68602-0569

Ph: 800-447-2751
Fax: (402) 563-7447
www.behlencountry.com