

Swing Out Door F/PHSW 54150108

Hardware Kit 54900038

THANK YOU FOR PURCHASING THIS PRODUCT

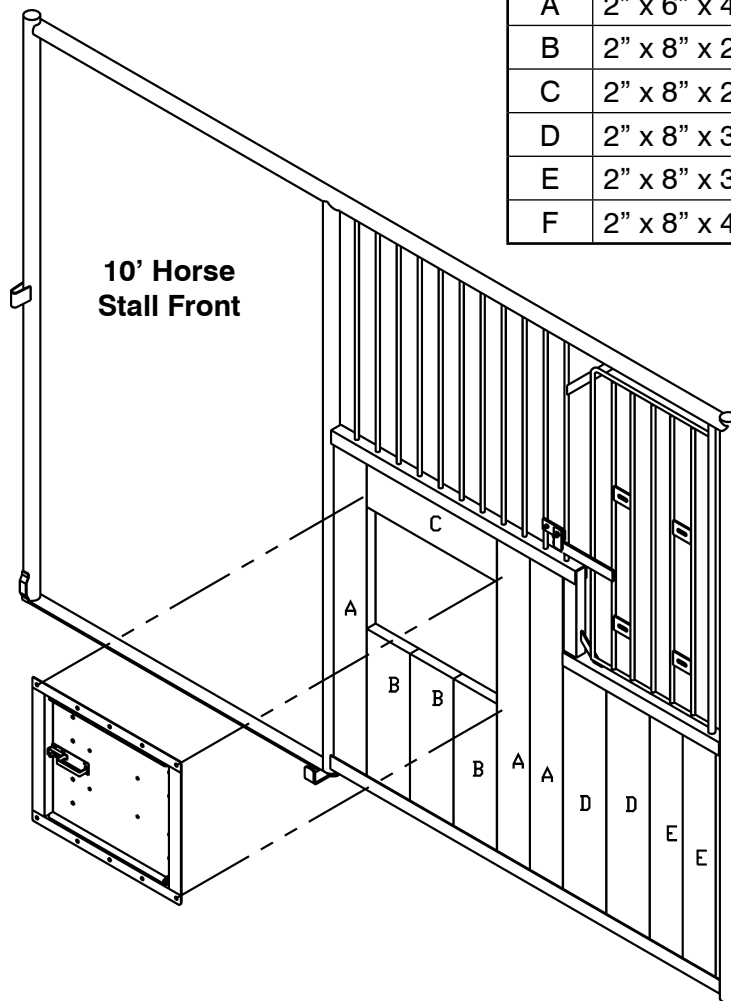
Behlen Country has been in the business of providing quality products for more than 75 years. Our products will provide many years of service when maintained by the owner and used in accordance with the capabilities of the product. For questions about this product, or for parts inquiries, please contact our Customer Service Center listed below.

1. Install customer supplied wood into the bottom of the stall using the cut size and board placement chart below.
2. Place the Swing Out Door into place. At the same time, install board C.
3. Use customer supplied 3/8" wood screws and fasten the feeder in place.

4. Optional reinforcement plate can be used to help secure the feeder in place. If used, drill holes through the wood and attach feeder frame and reinforcement plate with 3/8" x 2" bolts and nuts supplied in the hardware bag.

10' STALL WOOD CHART

Ref.	Wood Size	Stall - Qty.	Door - Qty.
A	2" x 6" x 47½"	3	7
B	2" x 8" x 23"	3	---
C	2" x 8" x 21¼"	1	---
D	2" x 8" x 35½"	2	---
E	2" x 8" x 35½"	2	---
F	2" x 8" x 47½"	---	1



Behlen[®] COUNTRY

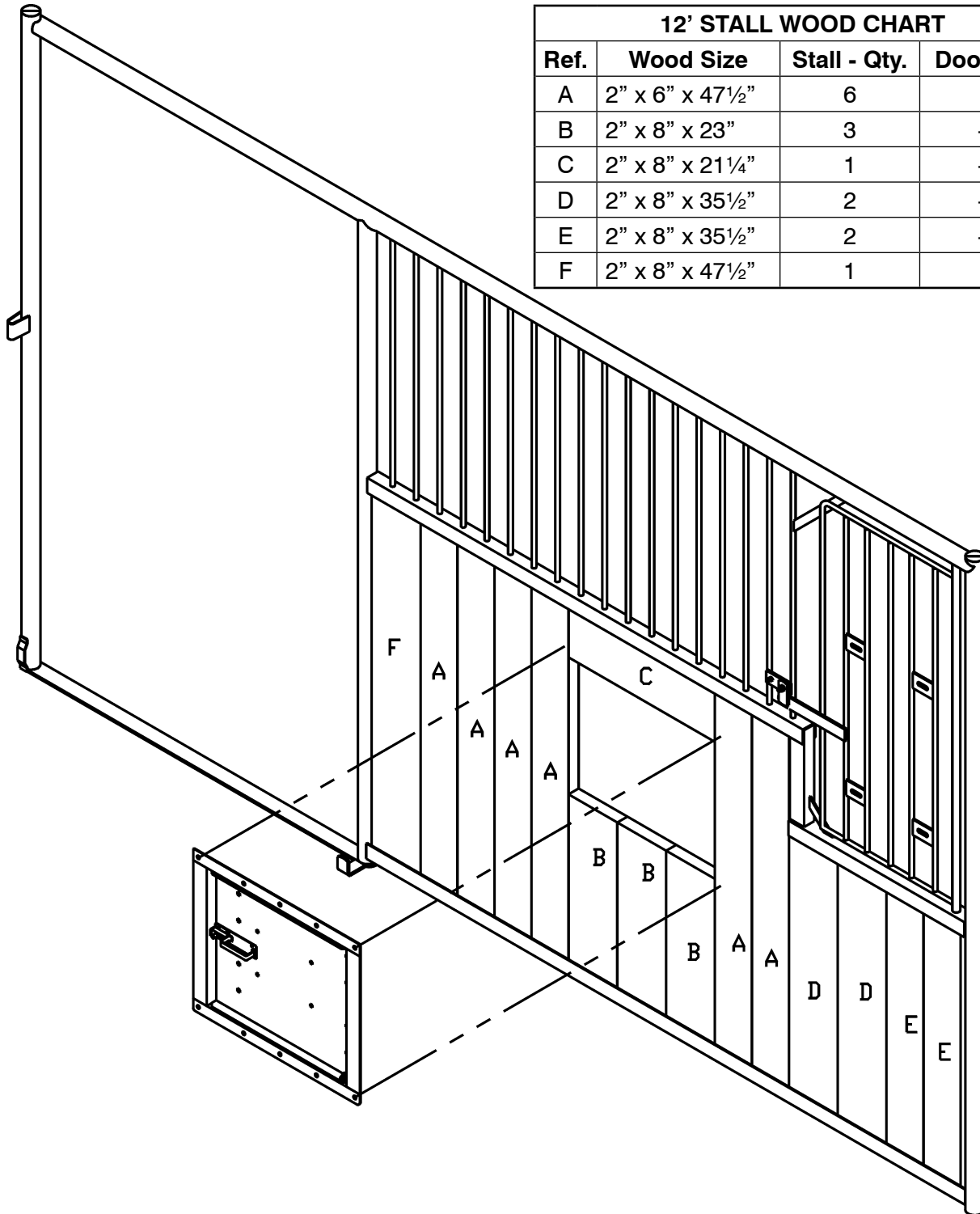
CUSTOMER SERVICE CENTER

PO Box 569
Columbus, NE
68602-0569

Ph: 800-447-2751
Fax: (402) 563-7447
www.behlencountry.com

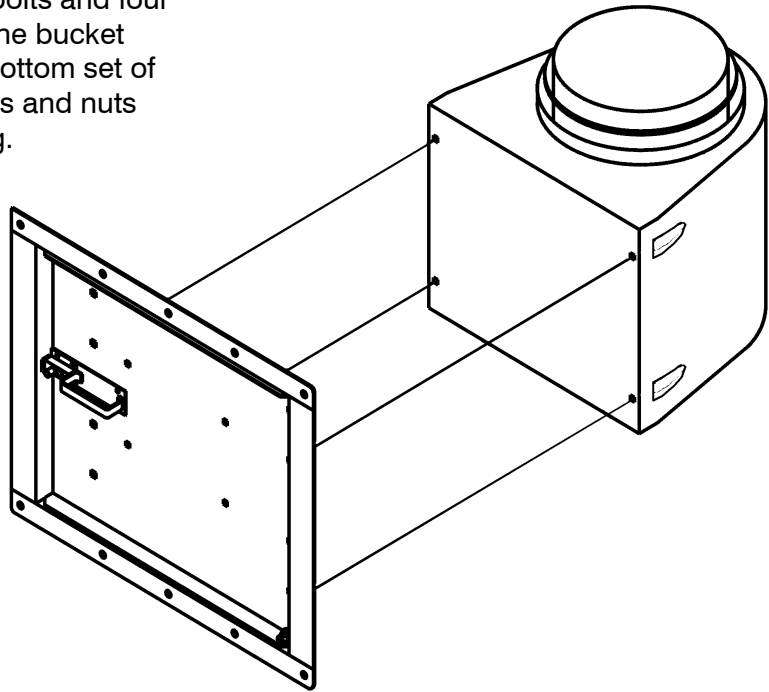
1. Install customer supplied wood into the bottom of the stall using the cut size and board placement chart below.
2. Place the Swing Out Door into place. At the same time, install board C.
3. Use customer supplied 3/8" wood screws and fasten the feeder in place.
4. Optional reinforcement plate can be used to help secure the feeder in place. If used, drill holes through the wood and attach feeder frame and reinforcement plate with 3/8" x 2" bolts and nuts supplied in the hardware bag.

12' STALL WOOD CHART			
Ref.	Wood Size	Stall - Qty.	Door - Qty.
A	2" x 6" x 47 1/2"	6	7
B	2" x 8" x 23"	3	---
C	2" x 8" x 21 1/4"	1	---
D	2" x 8" x 35 1/2"	2	---
E	2" x 8" x 35 1/2"	2	---
F	2" x 8" x 47 1/2"	1	1



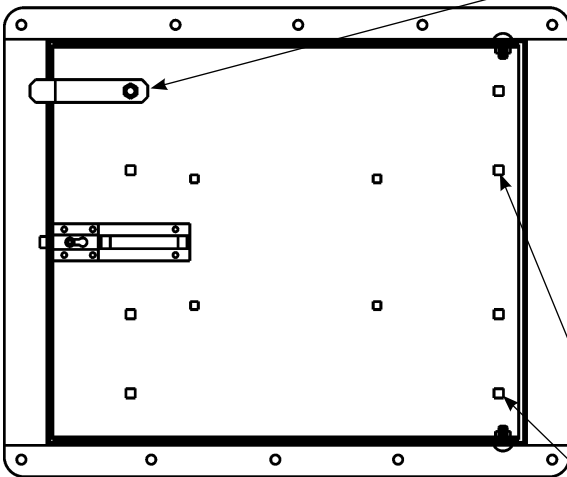
Installing the Bucket Holder

Use four 3/8" x 1 1/2" carriage bolts and four 3/8" whiz lock nuts to attach the bucket holder to the door using the bottom set of holes as indicated below. Bolts and nuts are found in the hardware bag.

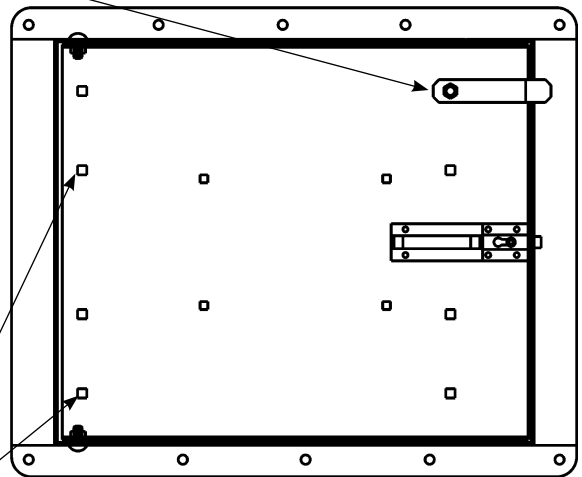


Attach Door Stop Bracket using 3/8" x 1" Carriage Bolt and 3/8" Lock Nut

Right-hand operated door



Left-hand operated door



When mounting the poly bucket holder use the bottom set of square holes.

For a left-hand operated door, simply rotate the door and frame so that the handle and latch are on the right side of the assembly.