

# PDS-1 Drinker

## Packaged, Field Installed, Poly Drinker

**Hardware Kit**  
**50900018**

For questions about this product, or for parts inquiries, please contact our Customer Service Center listed below.

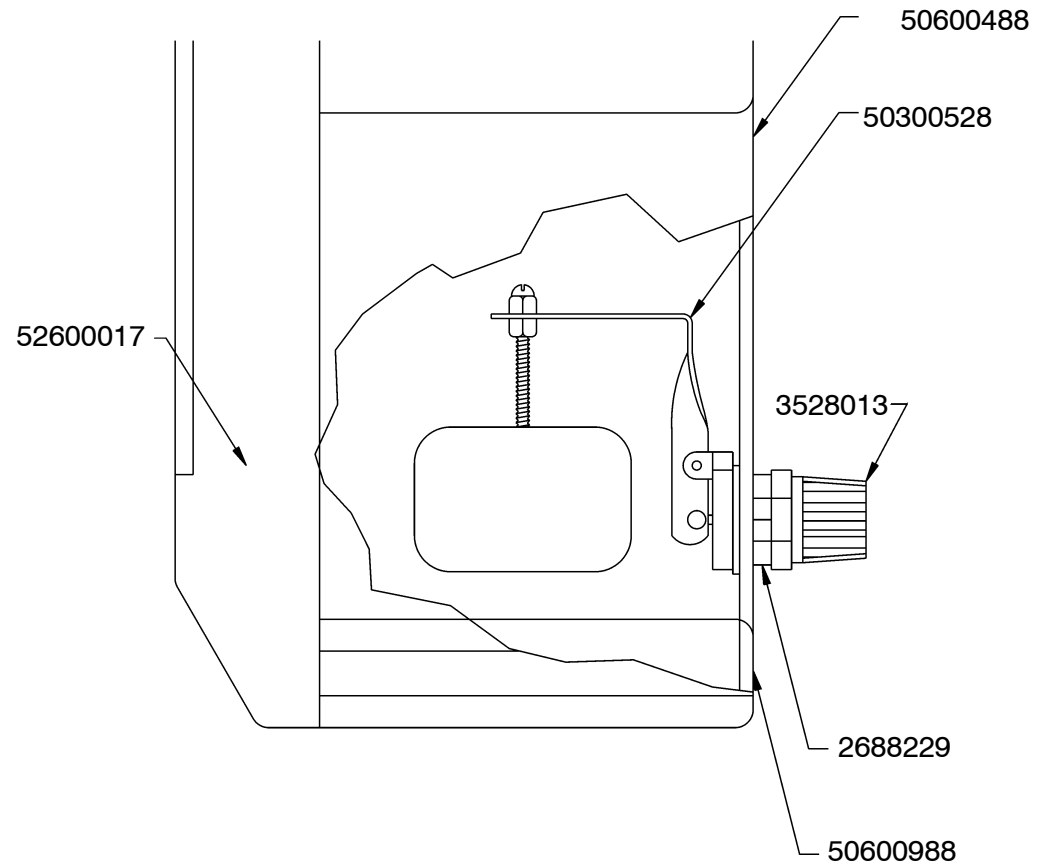
1. Assemble Valve into Drinker. Slip Rubber Washer (6882294) over Valve Body (50300528).

Insert valve assembly through drinker (52600017) from the inside with Float Arm up. Thread on Pipe Nut (2688229) & tighten. Attach Strainer (3528013). See Fig. A

2. Affix Sealing Tape (3209390) to the face of the Drinker, 16" long pieces on the sides, 15" long pieces on the top & bottom. Be sure to overlap tape strips at corners.

3. Position Drinker Frame (50600478) in tank opening on the outside of the tank. Align Drinker assembly to opening from inside of tank and clamp in position. Using the Drinker Frame as a guide, drill 9/32" dia. holes through the tank sidewall, the Tape, and the Drinker.

**NOTE:** It is best if all four corners are drilled and bolted first to aid in holding alignment of assembly with Torx bolts (3208157) and regular flange nuts (2688214) adding Back-up Plates (50600488) on each side.



**Fig. A**

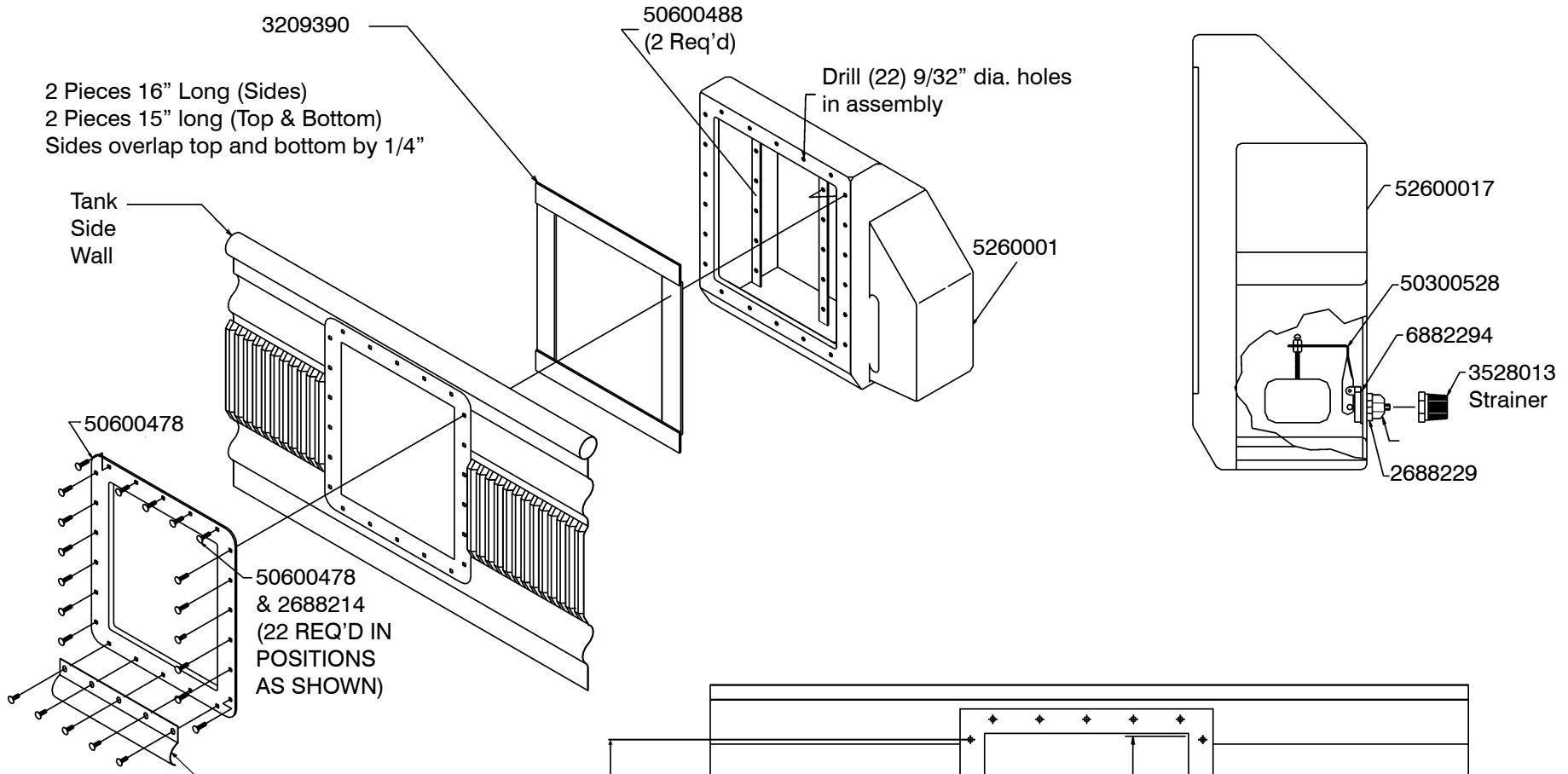
For steps 2 - 3, See Fig. B

**Behlen**  
**COUNTRY**

## CUSTOMER SERVICE CENTER

PO Box 569  
Columbus, NE  
68602-0569

Ph: 800-447-2751  
Fax: (402) 563-7447  
[www.behlencountry.com](http://www.behlencountry.com)



**NOTE: THIS PART ONLY NEEDED FOR TANKS MADE IN MCGREGOR, TEXAS.**

**BEHLEN**  
ROUND END TANK  
RE-3210

**Behlen**  
**COUNTRY**

800-447-2751  
May 30, 2013  
386

50130098

0 17141 00133 9

SEE BARCODE LABEL ON TANK MARKED "MCG." IF NOT MARKED AS SUCH, PLEASE DISREGARD.

