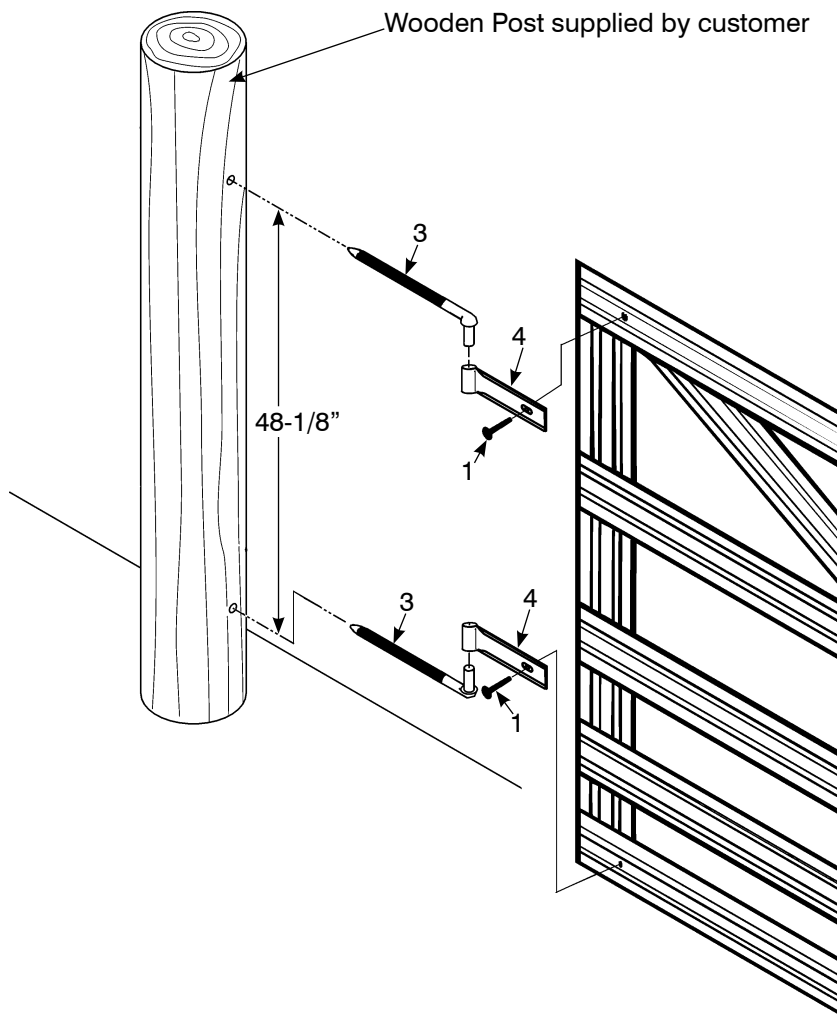


# Gate Hardware for Panel Gates

## Hardware Kit 40900188

### THANK YOU FOR PURCHASING THIS PRODUCT

Behlen Country has been in the business of providing quality products for more than 75 years. Our products will provide many years of service when maintained by the owner and used in accordance with the capabilities of the product. For questions about this product, or for parts inquiries, please contact our Customer Service Center listed below.



1. Drill holes in wooden post. For 5/8" screw hooks (3), drill a pilot hole only approx. 48-1/8" center to center.
2. For installing screw hooks (3), manually screw into post using pilot holes. Place one screw hook (3) up and one down (see illustration).
3. Install hinge (4) on bottom rail of gate by sliding hinge over rail and fastening with screw (1).
4. Place gate on bottom screw hook (3). With gate in position, slide top hinge (4) onto screw hook (3) and fasten hinge to top channel of panel using screw (1). See illustration.

Ref. No.	Description	Qty.
1	Screw 5/16" x 3/4" Type "F" Hex Head	2
2	Chain Ass'y. Complete w/snap	1
3	Screw Hook 5/8" x 6" x 2 Pin - plated	2
4	Hinge, Gate tapped	2

# Behlen<sup>®</sup> COUNTRY

## CUSTOMER SERVICE CENTER

For questions about this product  
or installation, please call  
800-447-2751.

For missing parts  
call 712-476-3166.