

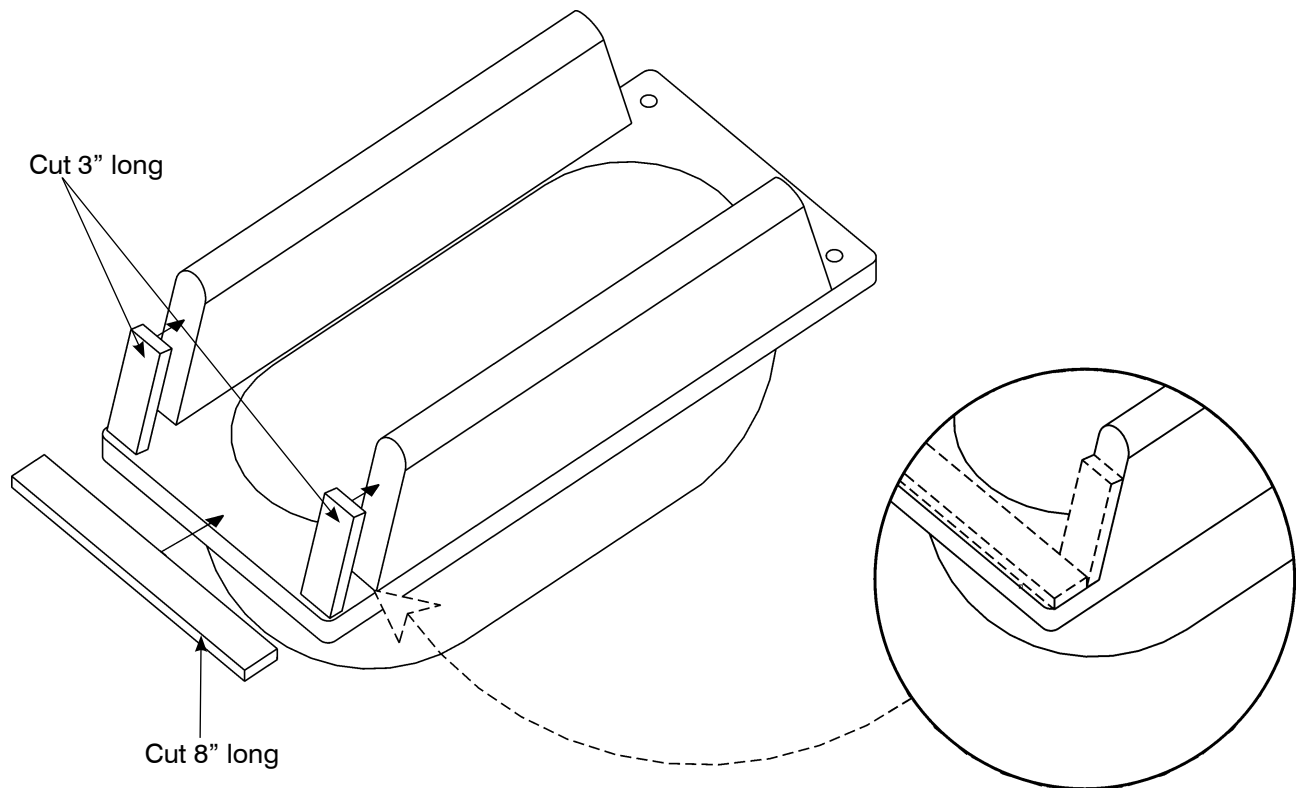
Insulation Kit for Inspection Cover for Drinkers

**Hardware Kit
56100588**

For questions about this product, or for parts inquiries, please contact our Customer Service Center listed below.

Applying Weatherstrip to the Float Cover

2.5 ft. of Weatherstrip #2048041 cut into (4) 3" strips and (2) 8" strips



Peel off backing of self-adhering weatherstrips and apply to both sides of Inspection Cover.

Install weatherstrip seal to corners of Inspection Cover as shown.

**Behlen[®]
COUNTRY**

CUSTOMER SERVICE CENTER

PO Box 569
Columbus, NE
68602-0569

Ph: 800-447-2751
Fax: (402) 563-7447
www.behlencountry.com