

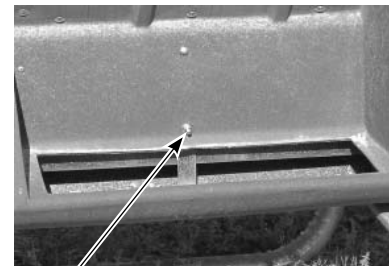
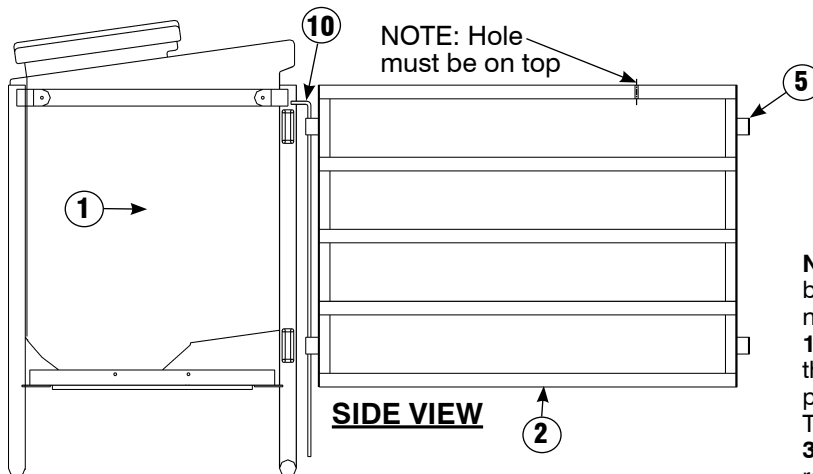
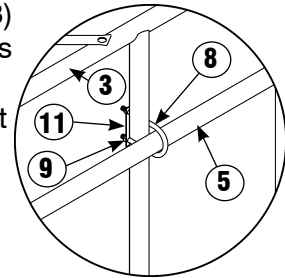
PFC 750 & 1200 Calf Creep Feeder

Hardware Kit 24900148

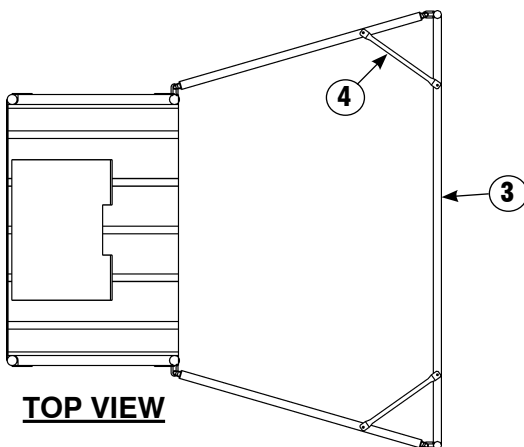
Behlen Country has been providing quality products for more than 75 years. Our products will provide many years of service when maintained by the owner and used in accordance with the capabilities of the product. For questions about this product, or for parts inquiries, please contact our Customer Service Center listed below.

1. Attach the Side Panels (2) to the Feeder Package (1) using two of the drop rods (10) provided.
2. Attach the Grill Panel (3) to the front side of the Side Panels (2) using two of the drop rods (10) provided.
3. Attach Brace Tubes (4) across top corners of Side Panel (2) and Grill Panel (3) with Carriage Bolts (6) and Nuts (7).

4. Tighten all bolts. Attach Animal Adjustment Tube (5) to Grill Panel (3) with U-bolts (8) and Nuts (9). See detail in circle. Slide Animal Adjustment Tube (5) to desired height and tighten bolt.



NOTE: The arrow points to the adjustment bolt. The outside of the creep feeder has the nut and washer which allows for adjustment.
1) Loosen the nuts (two on the 750 model, three on the 1200 model). **2)** Reach in and pull the feed slide up or down as desired. The feed slide has a 3" slot for adjustment.
3) Upon desired adjustment height, re-tighten the nuts.



Parts List	Description	Qty.
1	Feeder Assembly	1
2	Side Panel	2
3	Grill Panel	1
4	Brace Tube	2
5	Animal Adjustment Tube	1
6*	Bolt, Carriage 5/16" x 2"	4
7*	Nut, Hex 5/16"	4
8	U-Bolt 3/8"	2
9	Nut, Hex 3/8"	4
10	Drop Rods	4
11	U-Bolt Plate	2

*Not Illustrated

Behlen[®] COUNTRY

CUSTOMER SERVICE CENTER

PO Box 569
Columbus, NE
68602-0569

Ph: 800-447-2751
Fax: (402) 563-7447
www.behlencountry.com