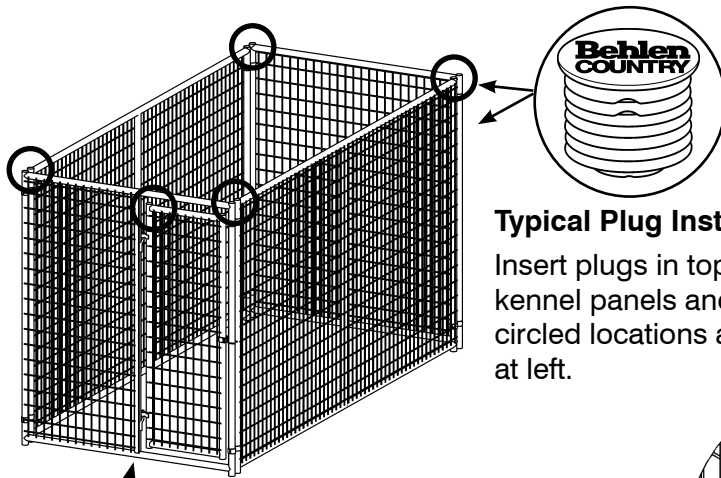


THANK YOU FOR PURCHASING THIS PRODUCT

Behlen Country has been in the business of providing quality equipment for more than 75 years. Our equipment will provide many years of service when maintained by the owner and used in accordance with the capabilities of the product. For questions about this product, or for parts inquiries, please contact our Customer Service Center listed below.



Typical Plug Installation.

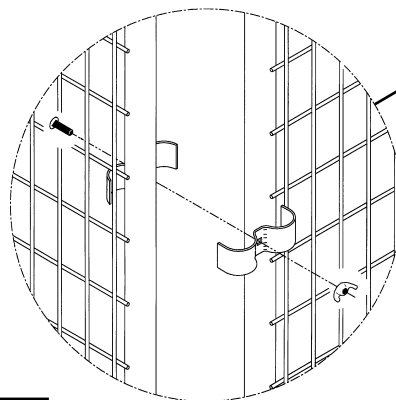
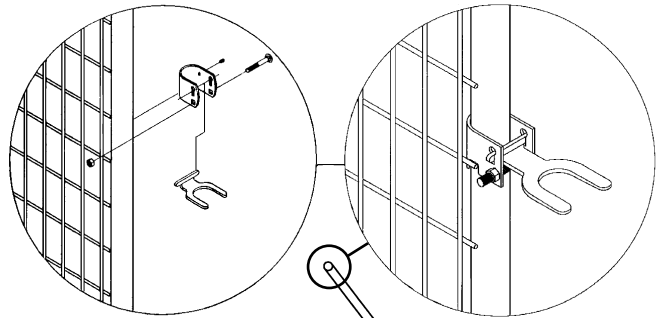
Insert plugs in top (only) of kennel panels and door at circled locations as shown at left.

Typical Dog Kennel Setup

The Latch comes installed from the factory but may be adjusted to any height by loosening the nut, adjusting to desired height and re-tightening the nut.

NOTE: Bottom of kennel has 1½" clearance to ground.

Do **NOT** install plugs in bottoms of panels or door to prevent holding water.



TYPICAL CLAMP SETUP

To attach panels, one side of the clamp will have to be inserted between the wire and the vertical tube before the other side of the clamp can be attached. A clamp should be attached (as shown at left) one at the top and one at the bottom of each panel.

LATCH COMPONENTS

Part No.	Description	Qty.
2208055	Latch, U-Clamp	1
2208056	Latch, Flipper	1
2688056	Nut	1
1328314	Bolt	1