

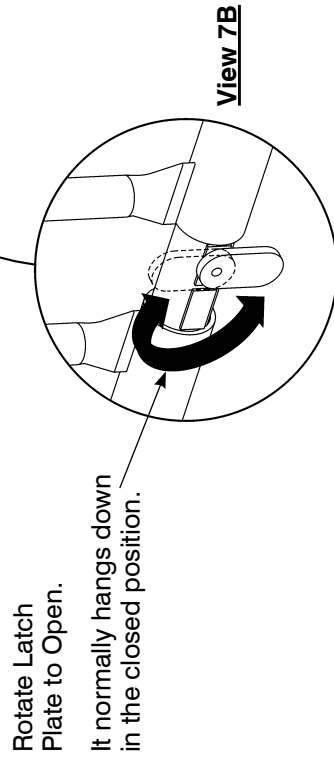
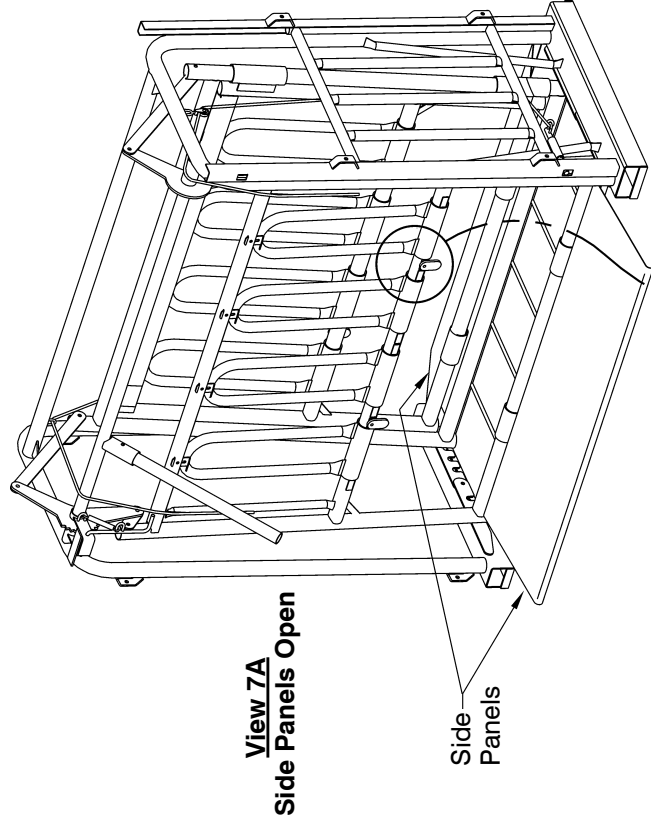
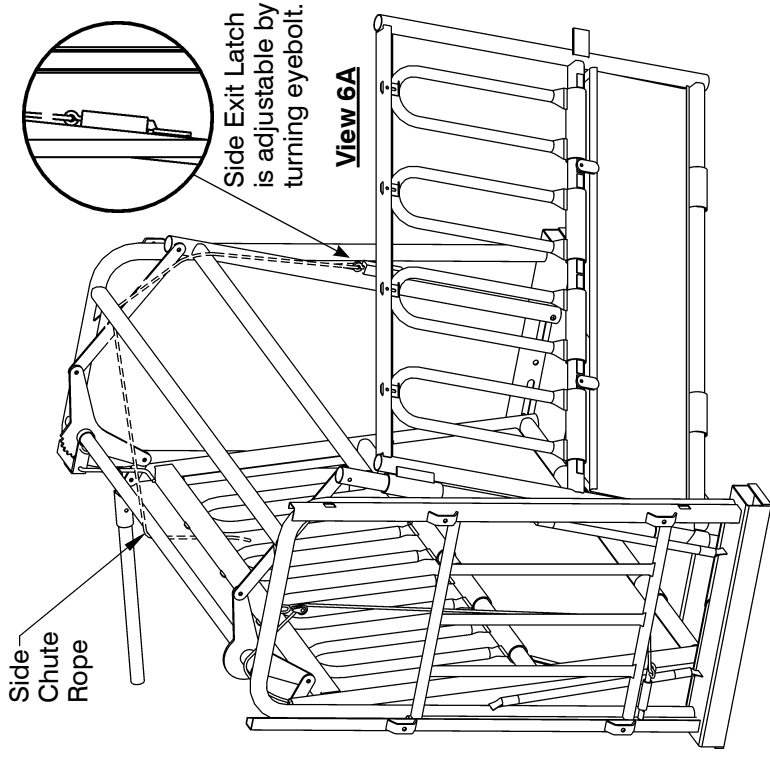
### 6.1 Side Exit Chute

The side exit allows the animal to exit out one side of the chute in a quick and safe manner. The side chute has a latch with a rope attached to it extending over the top to the other side. This allows the operator to open the side exit from the opposite side.

The gate will swing open by itself due to the slant of the side panel and will remain open on its own. The side gate can be closed from the opposite side by returning the chute to the squeezed position. This causes the gate to lean inward toward the chute and will firmly engage the latch, properly securing the gate. (View 6A).

### 7.1 Drop Down Access Panels

These panels (on each side) allow full access to the lower portion of the animal. Two latch plates (view 7B) can be easily rotated upward allowing the panel to rotate downward toward the ground. This also provides for a clean working surface when open. To close the panel, rotate the panel back upward and let the latch plates swing down over them to lock them into place. (Views 7A & 7B)

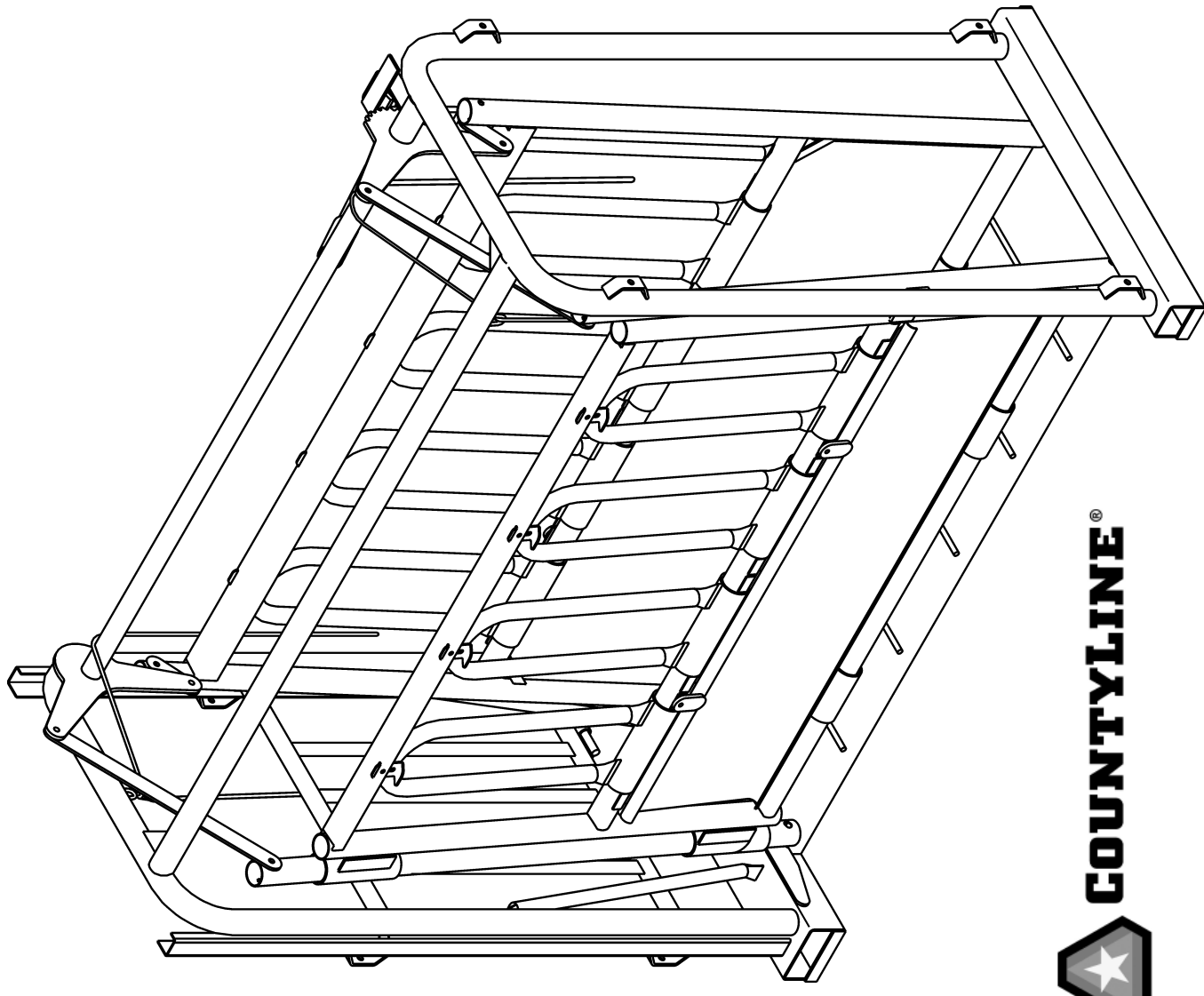


# TSC STANDARD SQUEEZE CHUTE

**Hardware Kit  
62900292**

**THANK YOU FOR PURCHASING THIS PRODUCT**

For questions about this product, or for parts inquiries, please contact our Customer Service Center listed below.



**Behlen  
COUNTRY**

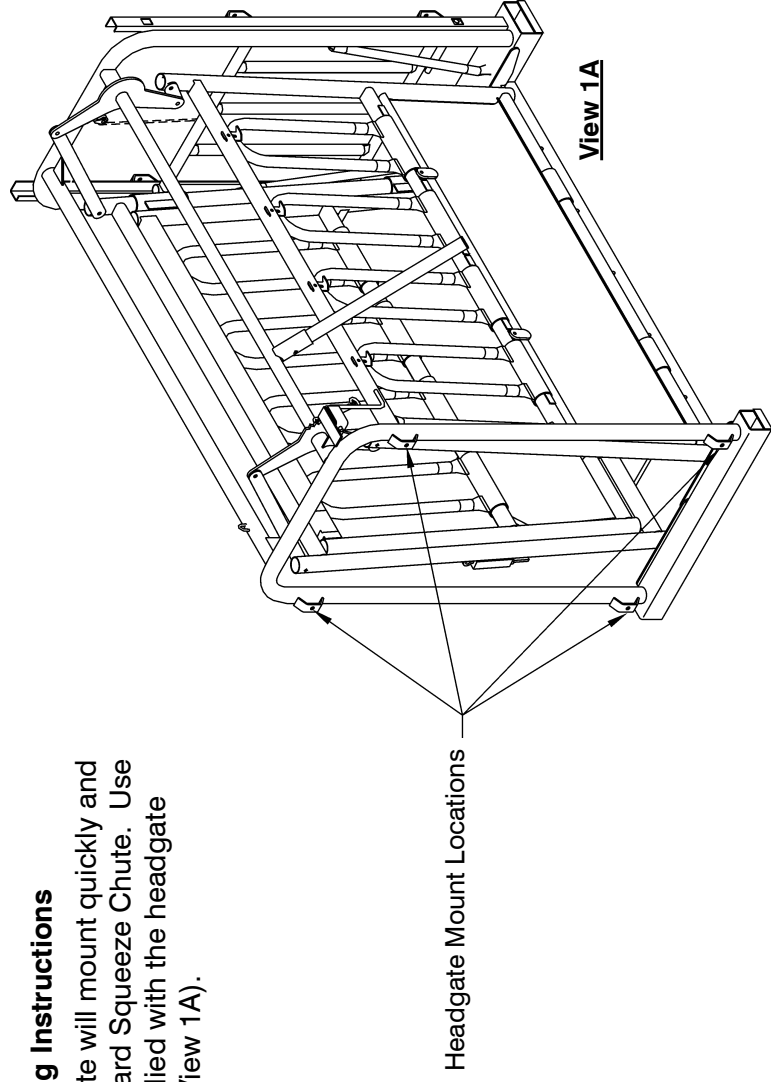
**CUSTOMER SERVICE CENTER**

PO Box 569  
Columbus, NE  
68602-0569  
Ph: 800-447-2751  
Fax: (402) 563-7447  
www.behlencountry.com

# TSC STANDARD SQUEEZE CHUTE OPERATING INSTRUCTIONS

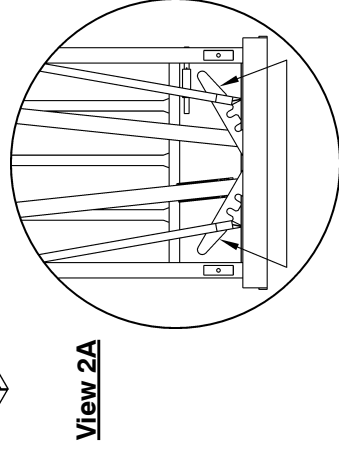
## 1.1 Headgate Mounting Instructions

Any Countyline Headgate will mount quickly and easily to the TSC Standard Squeeze Chute. Use the bolts and nuts supplied with the headgate you choose to mount (View 1A).



## 2.1 Floor Adjustment

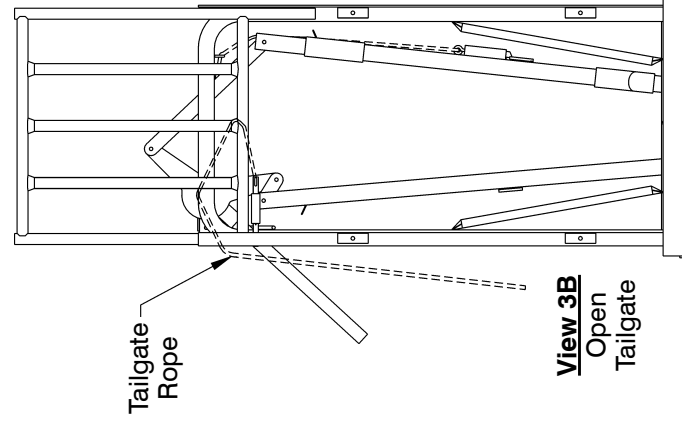
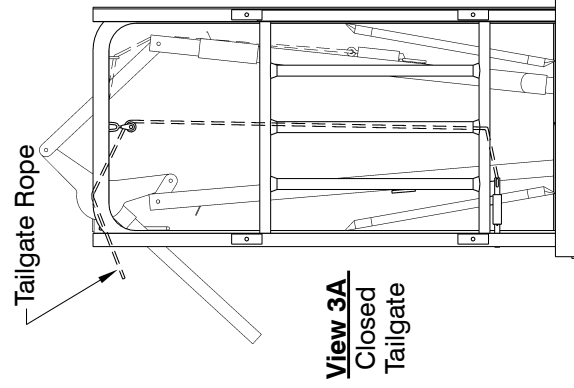
The floor of the TSC Standard Squeeze Chute can be set at any combination of 9 different settings. You may change the position of the sides by lifting up on the 4 floor adjustment lockdown plates (two each per end). Place the sides on the desired spacing and set the lockdown plates back into position (View 2A).



## 3.1 Tailgate Operation

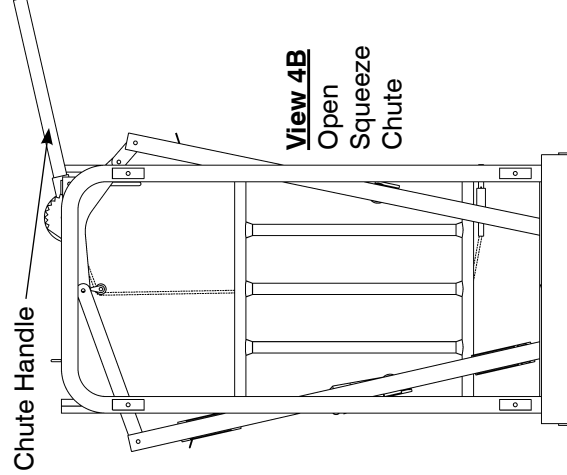
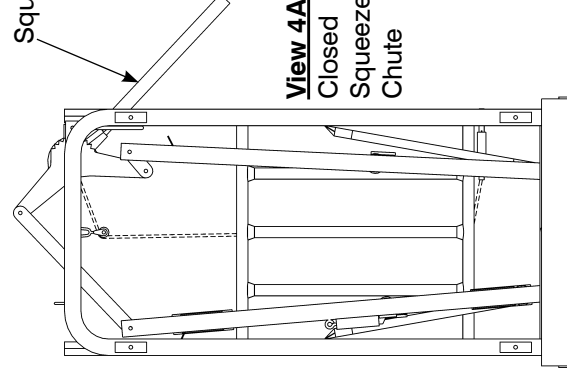
The tailgate has a latch on it to lock it in place. This latch is released by pulling on the rope attached to it. As the gate is released from the pull of the rope, the gate will rise to allow access into the squeeze chute. The gate can be locked in either the open or closed position. In either position, pulling on the rope will unlock the latch and allow it to move up or down.

(Views 3A & 3B)



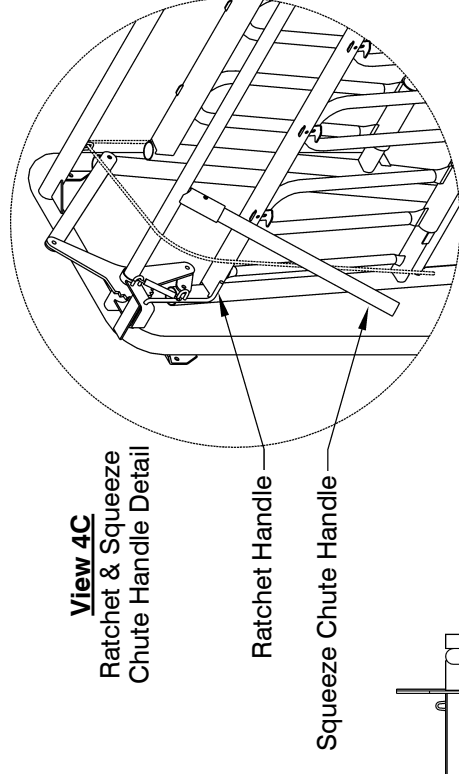
## 4.1 Squeeze Operation

Pulling down on the overhead handle performs the squeeze operation. The sides of the chute will move inward together and evenly. When you achieve the desired squeeze on the animal, set the Ratchet Release Handle back to its normal resting position. This will lock the sides in place. To release the animal from the squeeze chute, apply a small amount of pressure to the Overhead Handle, pull outward on the Ratchet Handle, and then fully raise the Overhead Handle to its full open position. Set the Ratchet Handle back to its normal resting position. (Views 4A & 4B)



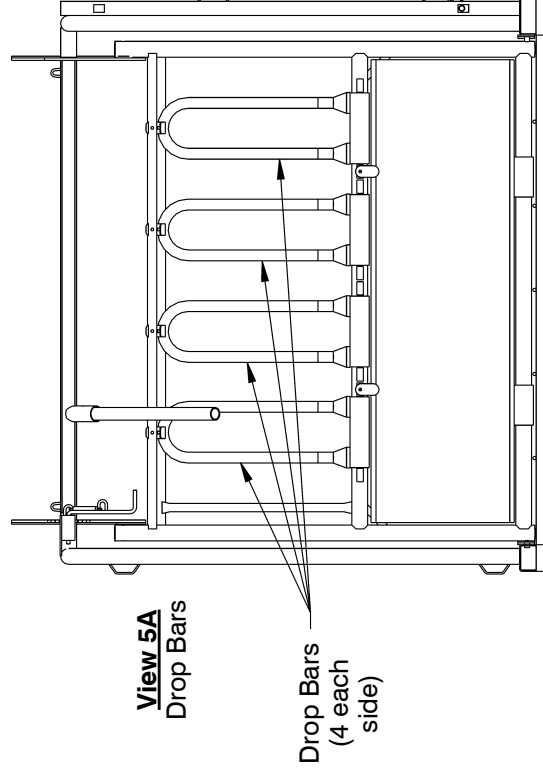
## View 4C

Ratchet & Squeeze Chute Handle Detail



## View 5A

Drop Bars



## 5.1 Drop Down Bars

The drop down bars allow for a larger access point to the animal from the side. Each side has 4 drop down bars all of which can be dropped down individually. The drop down bars rotate downward onto the bar directly below them. To open these drop down bars, lift upward on the Drop Bar Latch (view 5C). To close, simply rotate upward back to their original position and push firmly into the latch and it will automatically lock into place. (View 5A,5B & 5C.)

