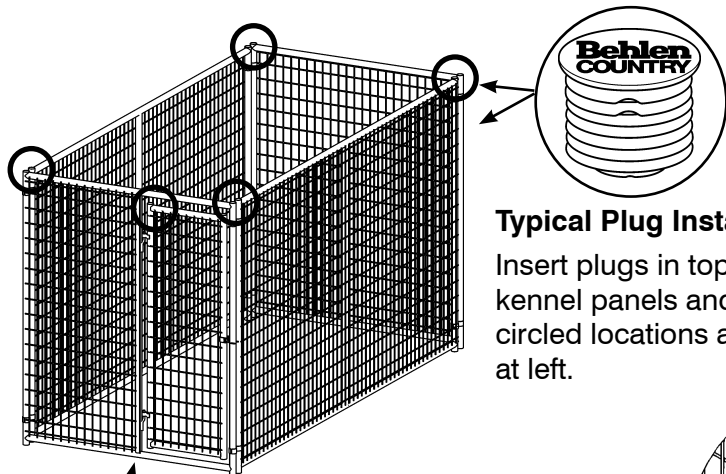


Magnum Painted Kennel

Hardware Kit 38900117

THANK YOU FOR PURCHASING THIS PRODUCT

Behlen Country has been in the business of providing quality equipment for more than 80 years. Our equipment will provide many years of service when maintained by the owner and used in accordance with the capabilities of the product. For questions about this product, or for parts inquiries, please contact our Customer Service Center listed below.



Typical Plug Installation.

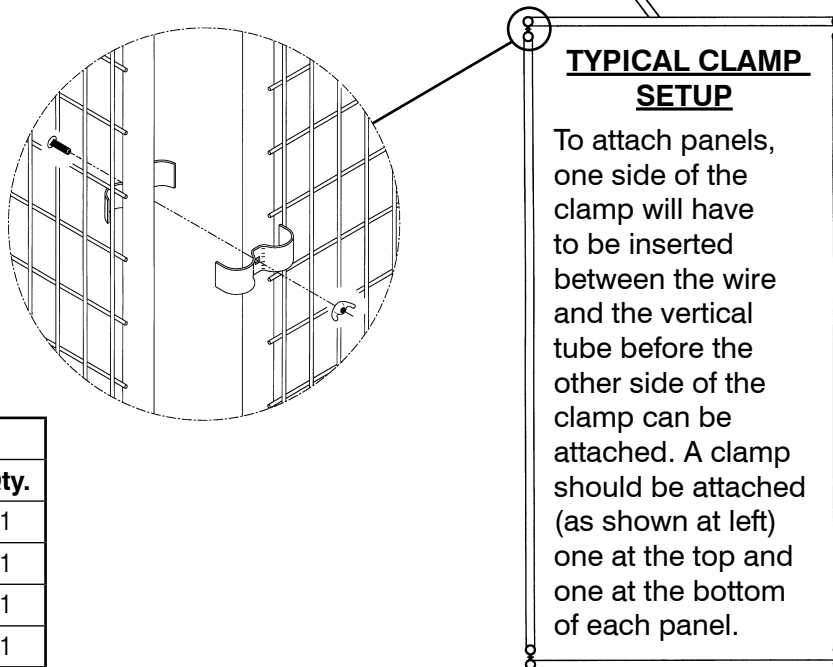
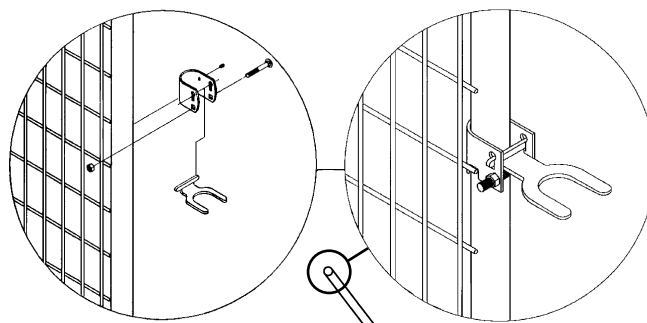
Insert plugs in top (only) of kennel panels and door at circled locations as shown at left.

Typical Dog Kennel Setup

The Latch comes installed from the factory but may be adjusted to any height by loosening the nut, adjusting to desired height and re-tightening the nut.

NOTE: Bottom of kennel has 1½" clearance to ground.

Do **NOT** install plugs in bottoms of panels or door to prevent holding water.



TYPICAL CLAMP SETUP

To attach panels, one side of the clamp will have to be inserted between the wire and the vertical tube before the other side of the clamp can be attached. A clamp should be attached (as shown at left) one at the top and one at the bottom of each panel.

LATCH COMPONENTS		
Part No.	Description	Qty.
2208055	Latch, U-Clamp	1
2208056	Latch, Flipper	1
2688056	Nut	1
1328314	Bolt	1

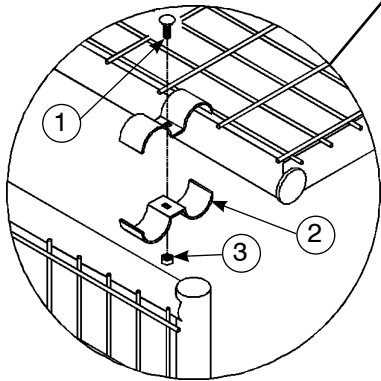
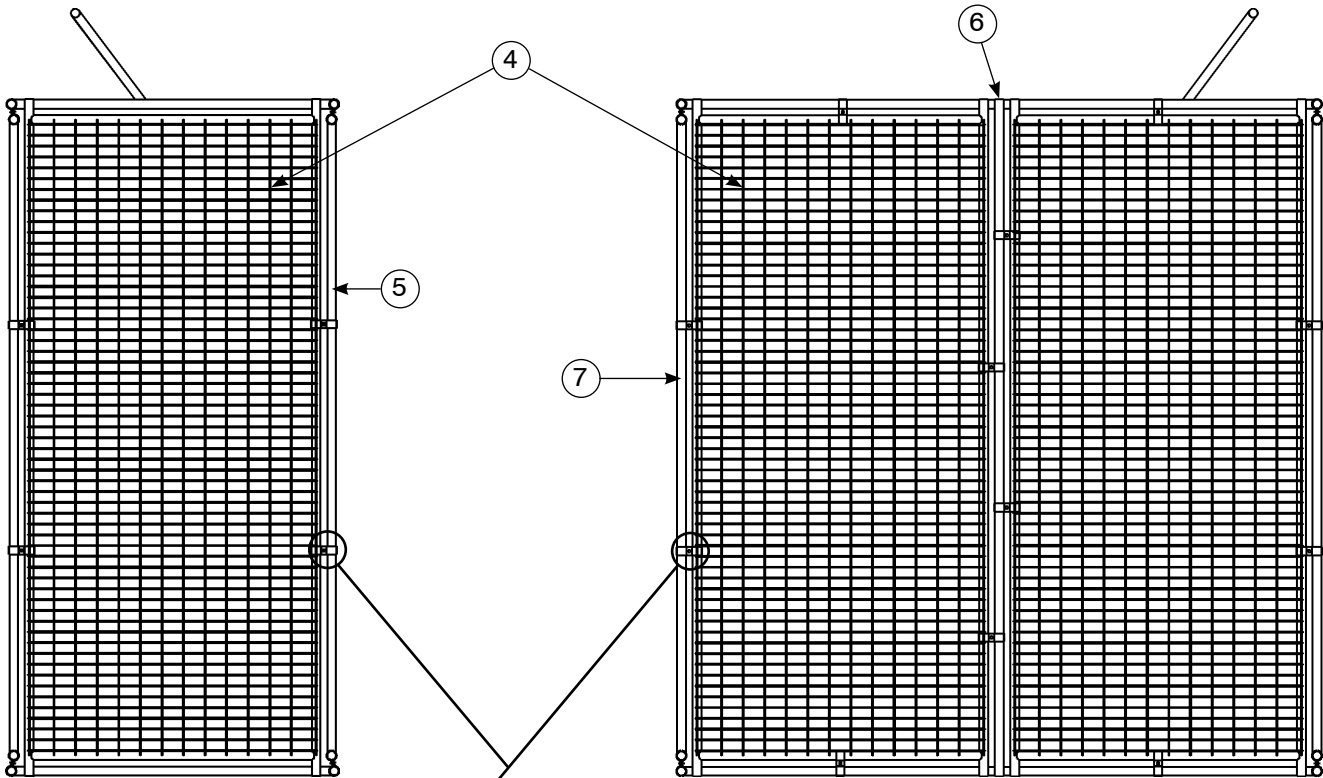
Behlen[®] COUNTRY

CUSTOMER SERVICE CENTER

PO Box 569
Columbus, NE
68602-0569

Ph: 800-447-2751
Fax: (402) 563-7447
www.behlencountry.com

Optional Powder Coat Wire Mesh Top for 5' x 10' Dog Kennel 38140017
Optional Powder Coat Wire Mesh Top for 10' x 10' Dog Kennel 38140027
Optional Hot-dipped Galv. Wire Mesh Top for 5' x 10' Dog Kennel 38140019



- For proper setup, have the wire facing the outside of the kennel. For tops to fit properly, dog kennels must be set up as shown.
- Each top panel will have to be attached by using the butterfly clamps supplied.
- To attach the clamp, one side of the clamp will have to be inserted between the wire and the vertical tube before the other side of the clamp can be attached. A clamp should be attached at each location shown in the diagram.

PARTS LISTING

ITEM	DESCRIPTION	PAINTED	PLATED	GALV.	10x10 QTY	5x10 QTY
1	Bolt, Carriage 3/8" x 1" ZP		1328327		12	4
2	1-5/8" Butterfly Connector	38600407	38600409		24	8
3	High Wing Nut 3/8"		2688306		12	4
4	Wire Mesh Top	38140017		38140019	2 (galv.)	1 (painted)
4	Wire Mesh Top	38140027			1 (painted)	--
5	10 x 10 Dog Kennel	--			1	--
6	Kennel Top Center Brace	38600397		38600399	1	--
7	5 x 10 Dog Kennel	--			--	1

NOTE: Wire Mesh Tops are an optional accessory and come in gray powder coat or hot-dipped galvanized.