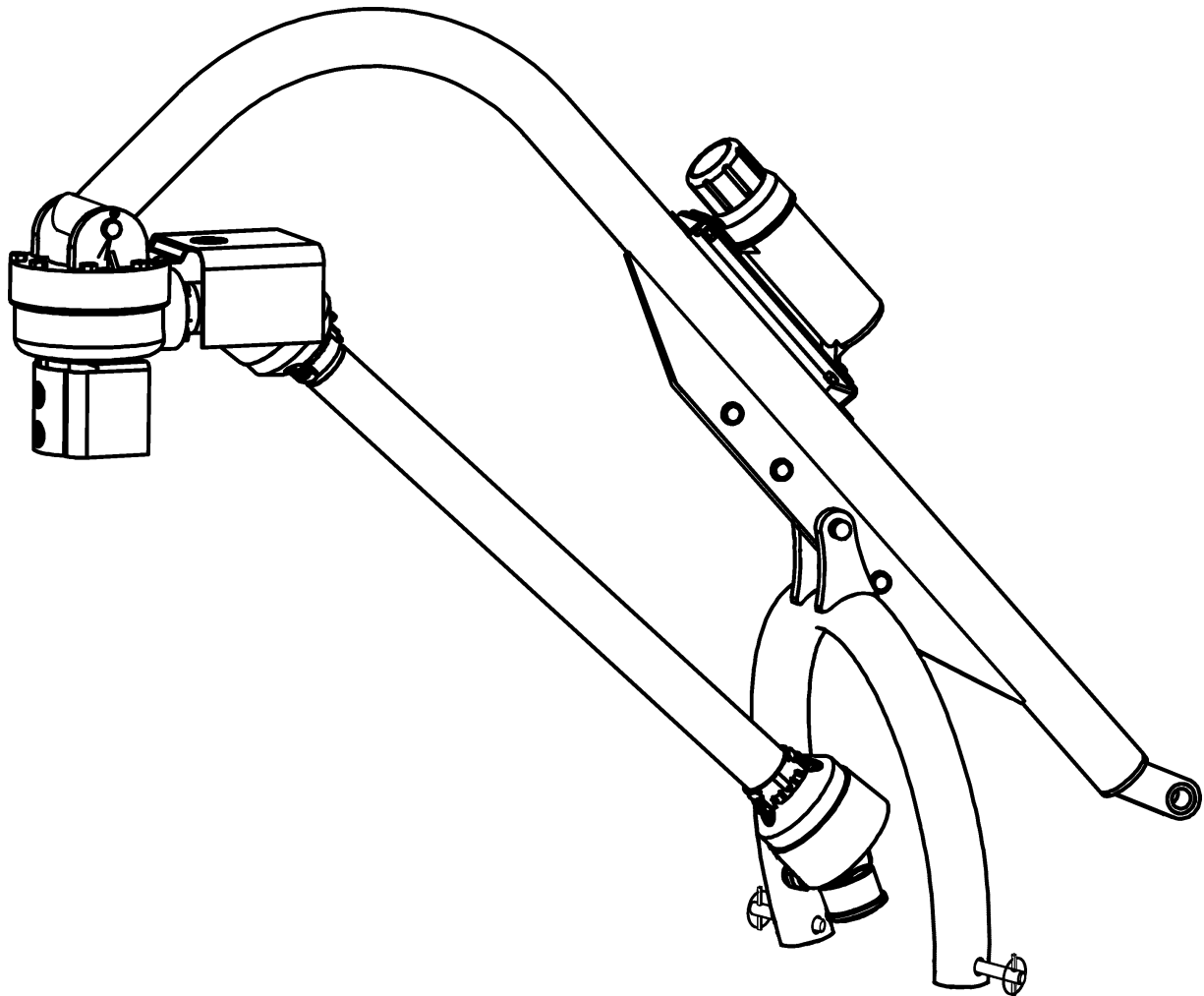


# Post Hole Digger 80113000YEL

## THANK YOU FOR PURCHASING THIS PRODUCT

Behlen Country has been in the business of providing quality products for more than 80 years. Our products will provide many years of service when maintained by the owner and used in accordance with the capabilities of the product. For questions about this product, or for parts inquiries, please contact our Customer Service Center listed below.



**Behlen<sup>®</sup>**  
**COUNTRY**

## CUSTOMER SERVICE CENTER

PO Box 569  
Columbus, NE  
68602-0569

Ph: 800-447-2751  
Fax: (402) 563-7447  
[www.behlencountry.com](http://www.behlencountry.com)

## Important Safety Information



This safety alert symbol identifies important safety messages in this manual. Failure to follow important safety information may result in serious injury or death.



**WARNING:** Read and thoroughly understand all instructions and safety information before assembling or operating this post hole digger. Failure to do so may cause serious injury or death. Do not allow anyone to operate this post hole digger who has not read this manual. As with all power equipment, a post hole digger can be dangerous if assembled or used improperly. Do not operate if you have doubts or questions concerning safe operation.

Call our customer service department at 1-800-447-2751 or visit [www.behlencountry.com](http://www.behlencountry.com) if you have any questions or concerns about the safe operation of this equipment.



### **DANGER: INTENDED USE**

Do **NOT** Use the post hole digger for any purpose other than digging post holes in soil when connected to a 3-point linkage system and power take off of a tractor. Any other use is unauthorized and may result in serious injury or death.

### **PERSONAL PROTECTIVE EQUIPMENT**

When operating this post hole digger it is essential that you wear safety gear including goggles or safety glasses, steel toed shoes, ear protection and tight fitting gloves (no loose cuffs or draw strings).



**CAUTION:** Do **NOT** wear loose clothing or jewelry that can be caught by moving parts of the post hole digger, including the auger and driveline. Keep clothing and hair away from all moving parts when operating.

## Read this Operation Manual before operating.

- Do not permit others that have not read and understood the complete Operation Manual to operate this equipment.
- Keep all people and pets a minimum of 10 feet away from the work area when operating this post hole digger.
- Do not operate the post hole digger when under the influence of alcohol, drugs or medication.
- Do not allow a person who is tired or otherwise impaired or not completely alert to operate the post hole digger
- Always check with authorities for underground utilities before digging holes. Serious injury or death could result from contact with gas or electric lines.
- Read the tractor's operation manual concerning the proper attachment and use of 3-point equipment and safety.
- Always make sure that all safety shields are in place and securely fastened. Do not operate if any shields are missing.
- Make sure that the auger point and cutting edges are intact and in good working condition prior to use.



**DANGER: ALWAYS OPERATE THIS POST HOLE DIGGER FROM THE TRACTOR SEAT.** Only one person should operate the digger.

**DO NOT ATTACH THE POST HOLE DIGGER TO THE TRACTOR WITH THE ENGINE RUNNING.**

**DO NOT OPERATE THE POST HOLE DIGGER WITH ANYONE IN CONTACT WITH ANY PART OF THE IMPLEMENT, PTO DRIVELINE OR AUGER.**

**SERIOUS INJURY CAN RESULT FROM ENTANGLEMENT WITH MOVING PARTS.**

- Make sure that the tractor brake is set before deploying the post hole digger.
- Do not manually deploy the auger.
- Do not manually position or force the auger into the ground.
- Turn off tractor engine before leaving the seat of the tractor.

## Important Safety Information

- Do not move the tractor with the power take off in the ON position.
- Do not exceed the 540 RPM PTO operating speed.

### **DANGER:**



### **• NEVER OPERATE THE POST HOLE DIGGER WITH THE AUGER MORE THAN 6 INCHES ABOVE**

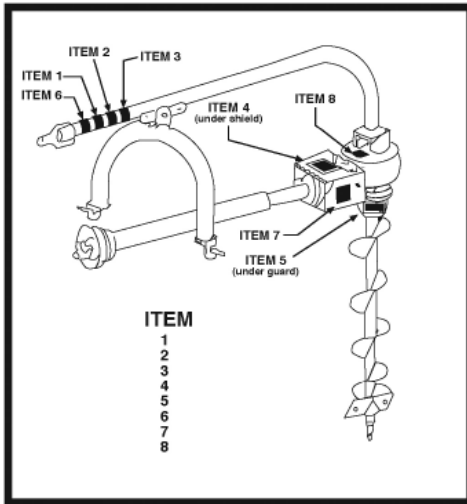
**GROUND LEVEL.** Operating the post hole digger in an elevated position may cause the PTO driveline u-joints to bind resulting in equipment damage and operator injury.

- **ALWAYS** turn off the post hole digger if a rock or other obstacle is encountered during operation to prevent damage to the gear box and possible operator injury. Shear bolts could become welded to the input shaft of the drive shaft if left running after being sheared.
- **ONLY PERFORM MAINTENANCE** such as lubrication, adjustments and repairs with the tractor engine turned off, the PTO disengaged and the auger point resting at ground level.
- **ALWAYS** replace shear bolts with the correct shear bolt size and grade (SAE Grade 5). Never use a shear bolt that is longer or larger than what is specified in the operation manual for that post hole digger model.

# Important Safety Information

## SAFETY DECALS

Make sure all safety warning decals are attached and in readable condition. Replace missing or defaced decals. Contact Service at 1-800-447-2751 for replacement decals.



**⚠ DANGER**

**TO PREVENT SERIOUS INJURY OR DEATH:**

- Contact dealer, make sure your machine has all current safety guards and shields in place.
- Do not operate without all guards and shields in place.
- Do not operate when auger is higher than 12 inches above ground level. Doing so may cause driveline to bind, resulting in equipment damage or operator injury.
- Stop auger rotation before maneuvering, relocating or transporting.

**⚠ DANGER**

**GUARD MISSING**  
When this is visible  
**DO NOT OPERATE**

**ENTANGLEMENT HAZARD**  
can cause Serious Injury or Death

Si no entiende ingles, se prefiere que busque a alguien que interprete las instrucciones para usted.

**⚠ DANGER**

**TO PREVENT SERIOUS INJURY OR DEATH:**  
Si no entiende ingles, se prefiere que busque a alguien que interprete las instrucciones para usted.

- Read and understand owner's manual before operating.
- Operate only from the tractor seat.
- Stay away from rotating parts. Keep others away.
- Do not dig around underground utility lines without checking with authorities.

**⚠ DANGER**

**DO NOT ATTACH THIS IMPLEMENT OR ATTEMPT TO OPERATE UNTIL YOU HAVE READ AND UNDERSTOOD ALL INSTRUCTIONS IN THE OWNER'S MANUAL. IF AN OWNER'S MANUAL IS NOT AVAILABLE CONTACT THE MANUFACTURER.**

**811**

**Know what's below.  
Call before you dig.**

**Lubricate  
Gearbox  
Before Using.**

**Read The  
Operators  
Manual.**

**⚠ DANGER**

**Rotating Parts Hazard  
Keep Away**

**To Prevent Serious Injury or Death from Rotating Parts:**  
Si no entiende ingles, se prefiere que busque a alguien que interprete las instrucciones para usted.

- Read and understand owner's manual before operating.
- Do not operate without all shields and guards in place.
- Do not use body weight to force the auger into the ground or to locate auger point when auger is turning.
- Never replace shearbolt or auger attaching bolts with longer bolt.
- Keep away from auger, cutting head and driveline when engine is running.

**⚠ DANGER**

**GUARD MISSING WHEN THIS IS VISIBLE  
DO NOT OPERATE**

**ENTANGLEMENT HAZARD**  
can cause Serious Injury or Death

Si no entiende ingles, se prefiere que busque a alguien que interprete las instrucciones para usted.

**⚠ DANGER**

**GUARD MISSING**  
When this is visible  
**DO NOT OPERATE**

**KEEP CLEAR!**  
Keep Others Away!  
**ENTANGLEMENT HAZARD**  
can cause Serious Injury or Death

Si no entiende ingles, se prefiere que busque a alguien que interprete las instrucciones para usted.

- Never manually position the auger or manually force the auger into ground.
- This machine is designed to be operated ONLY from the tractor seat.
- Keep everyone clear of all moving parts of the digger while in operation.

**⚠ DANGER**

**ROTATING DRIVELINE HAZARD  
KEEP AWAY**

To prevent serious injury or death from rotating driveline:

1. Keep all guards in place when operating.
2. Operate only at 540 RPM.
3. Keep hands, feet, clothing and hair away from moving parts.

# Assembly Instructions

## Step 1: Fill the gear box with lubricant.

The gear box is shipped without lubricant. Fill the top hole with 80W-90 lubricant. The gear box holds 25 fluid oz. (0.7 liters). Fill to the bottom of the plug on the side. Do not overfill as this can cause damage to the seals. Check the oil level every 50 hours of operation.

## Step 2: Attach the boom.

Attach the boom to the top link mounting bracket on the tractor using a top link pin and a lynch pin through the hole on the bottom of the boom. Top link pin and lynch pin are not provided.

## Step 3: Connect the A-frame.

Connect the A frame to the tractor's 3-point lift arms using draw pin assembly provided, with nut and lock washer. Attach the A-frame to the boom after selecting the desired hole for adjustment using the A-frame pin and a lynch pin. The size of your tractor and auger will determine which hole will work best.

## Step 4: Attach the gear box.

Attach the gear box to the boom using the gear box draw pin provided with the gear box and secure with cotter pins provided. The input shaft shield and the output shaft shield are already attached to the gear box.

## Step 5: Attach the auger.

Attach the auger to the output shaft on the bottom of the gear box using 1/2 in. hex cap screws, 1/2 in. lock washers and 1/2 in. hex nuts provided.

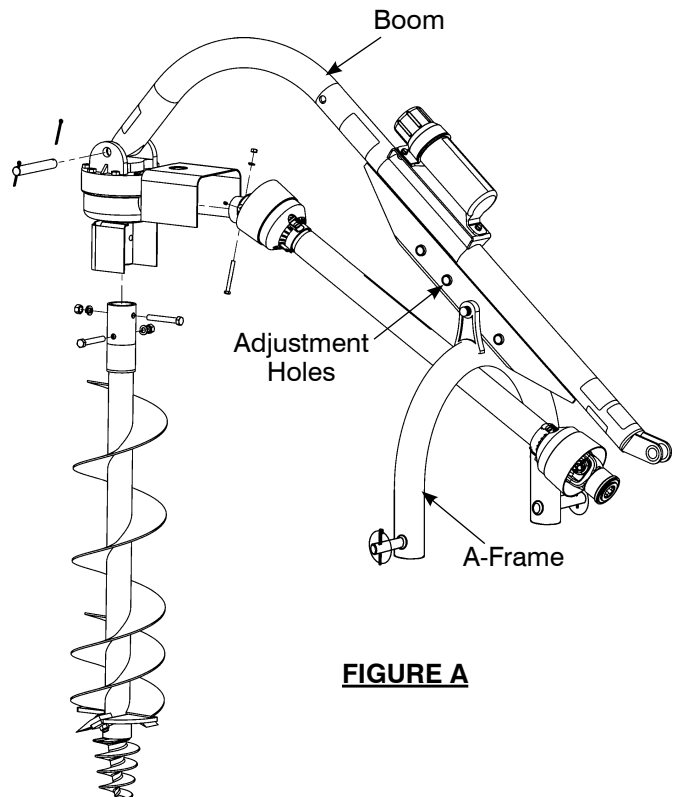
## Step 6: Attach the driveline.

Attach the driveline to the gear box input shaft using 5/16 in. hex cap screw, 5/16 in. lock washer and 5/16 in. hex nut. Insert 1/4 in. x 3/8 in. set screw into the hole on the yoke that aligns with the 3/16 in. groove on the gear box input shaft.



**Attention:** The 5/16 in. hex cap screw provides shear protection. Use **ONLY** a (Grade 5) 3 in. bolt to avoid damage to the gear box or auger.

The universal joint should be greased with chassis lube every week. Grease the sliding drive shaft members with moly grease at the beginning of each season of use. All post hole diggers are equipped with quick release



**FIGURE A**

universal joints on the PTO end for a 1-3/8 in. splined shaft.

## Step 7: Attach the tractor end of driveline.

Attach the tractor end of the driveline to the tractor PTO shaft. Push the spring loaded pin in the splined yoke and slip it onto the splined PTO shaft of the tractor. Release the pin and push until it locks securely.

**Note:** it may be necessary to obtain a 1-1/8 in. to 1-3/8 in. sleeve spline adapter if the tractor has a 1-1/8 in. spline shaft.

## Step 8: Check tightness of all bolts and nuts.

Stabilizers should be kept tight to avoid side sway of the post hole digger.

See Figure A for reference in assembling the post hole digger and attachment to the tractor.

**Note:** The boom angle can be adjusted on the tractor for proper hole digging and ground clearance by moving the A-frame to a different mounting hole.

**Note:** If the 7/8 in. diameter pull pins are too small for the holes in the lift arms, bushings should be used to obtain the correct fit for operation.

## Operating Instructions



**WARNING:** Read and thoroughly understand all instructions and safety information before assembling or operating this post

hole digger. Failure to do so may cause serious injury or death.

### **Step 1: Lower auger.**

After attaching the post hole digger to the tractor, before engaging the power, slowly lower the auger to the ground at the desired angle for hole digging.

### **Step 2: Engage PTO.**

Engage the power take off and start digging at a slow speed lowering the auger slowly as the hole is dug.

### **Step 3: Increase speed.**

Increase the speed as the auger goes deeper into the ground. The type of soil will determine the proper auger speed. A very hard or compacted soil may require operation at varying speeds to be the most efficient in digging.



**CAUTION:**  
**NEVER ALLOW THE TRACTOR'S ENGINE TO RUN WHILE MANUALLY DISLODGING AN OBSTACLE.**

If a rock or other obstacle is encountered that is too large for the auger to displace, the post hole digger will begin to vibrate. Slowly withdraw the auger from the hole completely. Turn off the tractor's power and remove the obstacle manually. Slowly lower the auger into the hole and engage the power to complete digging the hole.

### **Step 4: Removing the auger.**

After the desired hole depth has been reached, spin the auger at a high speed to clear the hole of soil. Reduce the speed before withdrawing the auger from the hole.

### **Step 5: Disengage PTO.**

Disengage the power take off after withdrawing the auger from the hole and move to the next desired hole location.

## Maintenance



**WARNING:**  
**ALWAYS PERFORM MAINTENANCE OPERATIONS WITH THE TRACTOR'S ENGINE POWERED OFF, PTO DISENGAGED, AND THE AUGER TIP RESTING ON THE GROUND.**

Before operation check all safety shields. Replace shields that are worn or broken before operating the post hole digger.

When the self-sharpening points on the auger show excessive wear it is important to replace them.

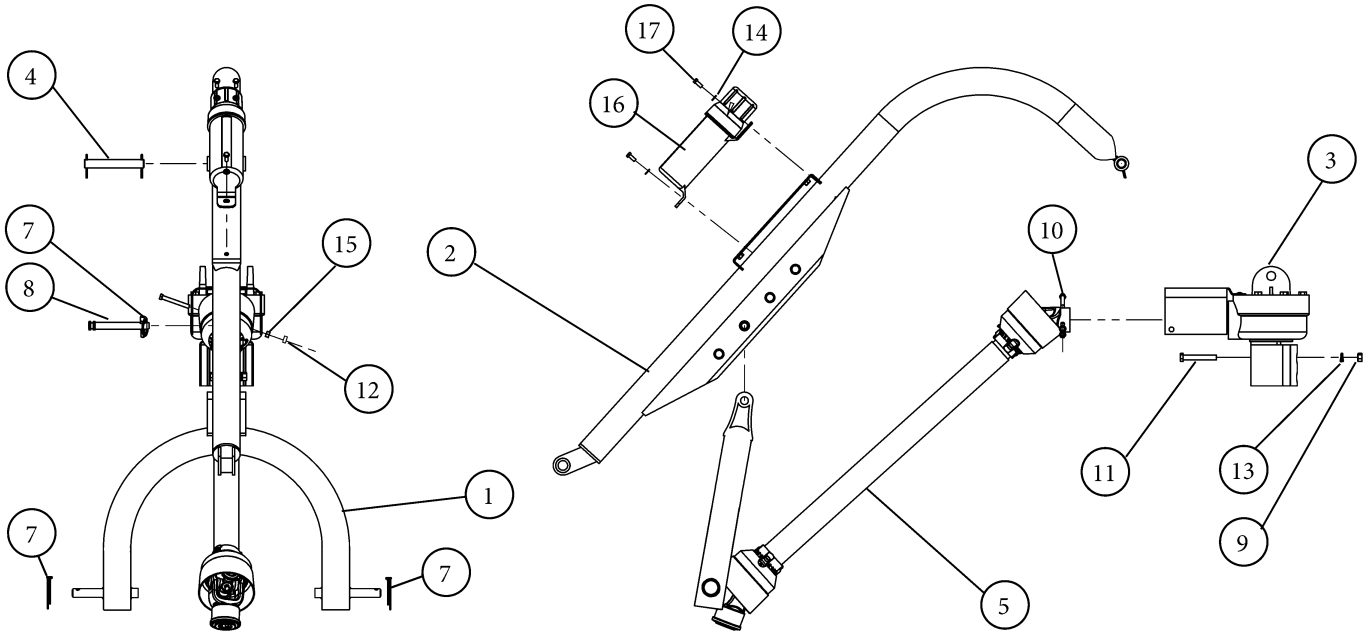
Check the oil level after every 50 hours of operation. Use 80W-90 lubricant and fill to oil level plug. Always use the same replacement lubricant type.

Universal joints should be greased with chassis lube once a week during operating season. Grease the sliding drive shaft members with moly grease at the beginning of each season.

To remove the auger from the gear box output shaft, remove the two 1/2 in. x 3 in. hex cap screws.

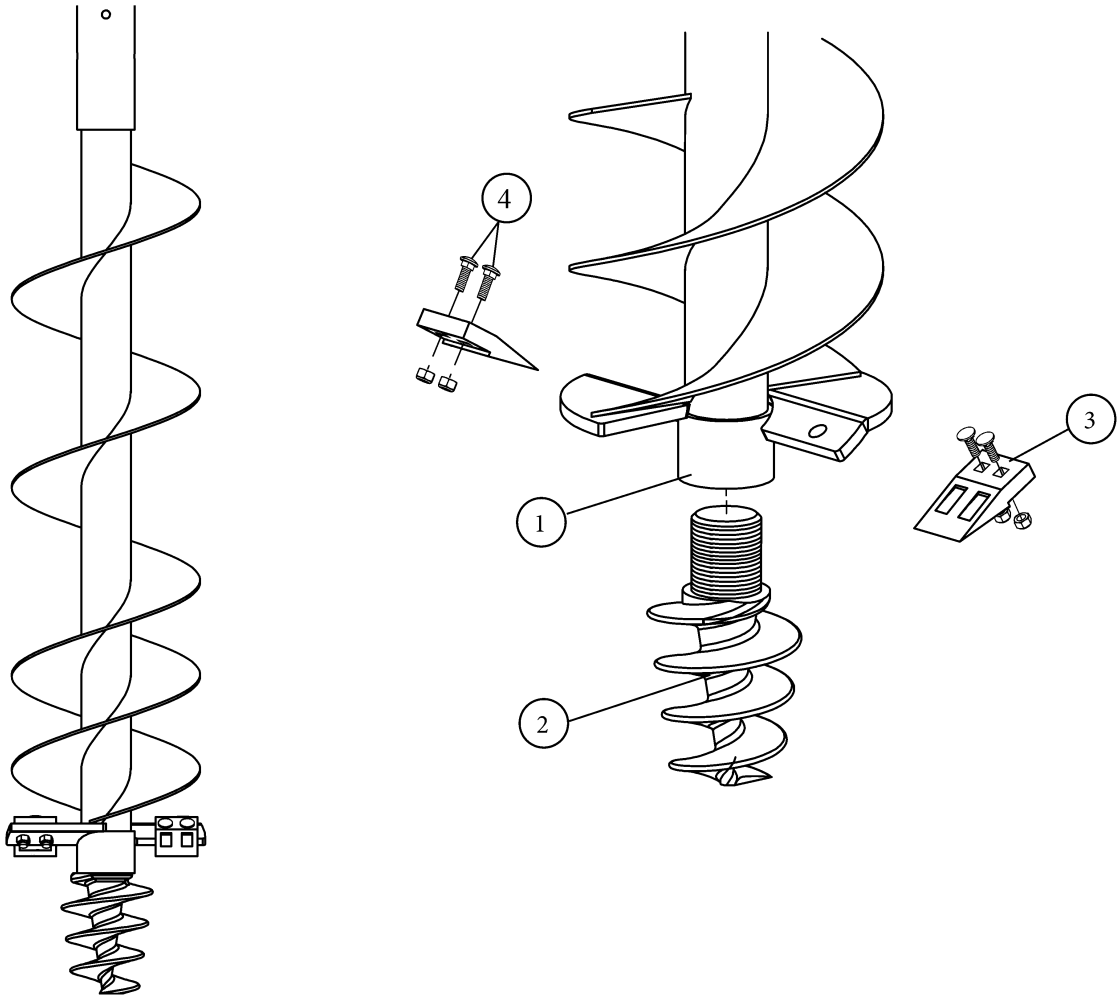
To remove the drive shaft from the gear box input shaft, remove the shear pin bolt and 1/4 in. set screw.

# Post Hole Digger Parts List



Item #	Part #	Description	Qty
1	P-P2515-03	A Frame	1
2	P-P2515-01	Boom	1
3	H-P0200	Gearbox (H-260)	1
4	H-P0251	Pin, Dia. 22.2mm L 203.2mm	1
5	651M-P	Driveline with plastic shields	1
6		-	
7	P-P2287	Lynch Pin, 3/8 in. x 1-3/4 in.	3
8	P7715	A Frame Pin, Dia. 19.05mm L121mm	1
9		Hex Nut 1/2 in. - 13	2
10	P-P2300-08	Hex bolt 3/8" - 16x 3in. G5	1
11	P-P2300-10	Hex Bolt 1/2 in. - 13 x 3-1/2 in, G5	2
12		Hex nut, 3/8in. -16, G5	1
13		Lock Washer, 1/2 in.	2
14		Flat Washer, 5/16 in.	2
15		Lock Washer, 3/8 in.	1
16	1G50-06	Manual Cannister	1
17	P-P2300-05	Hex Bolt, 5/16 in. - 18 x 1 in.	2

# Auger Parts List



Part Number	Auger Diameter	Number of Cutting Edges
P-P2301	6 in.	2
P-P2297	9 in.	2
P-P2298	12 in.	4

Item #	Part #	Description	Qty
1	P-P2301HJ	6" Auger Flute	1
	P-P2297HJ	9" Auger Flute	1
	P-P2298HJ	12" Auger Flute	1
2	P-P2298-09	Auger Tip	1
3	P-P2301-03	6" Auger Cutting Tooth	2
	P-P2297-02	9" Auger Cutting Tooth	1
	P-P2297-03		1
	P-P2298-02	12" Auger Cutting Tooth	1
	P-P2298-04		1
4	P-P2298-01	Carriage Bolt, 3/8" - 16 x 1.2" G5	4





# Warranty & Specifications

## IMPORTANT NOTICE

We, the manufacturer, reserve the right to change the product and/or specifications in this manual without notification. This manual is for information usage only and the illustrations depicted herein are for reference only.

## Warranty Service and Repair

Do **NOT** return this product to the store for warranty issues or repair. Call our Customer Service Department at 1-402-447-2751 or visit [www.behlencountry.com](http://www.behlencountry.com) for the location of the nearest service center.

Behlen Country warrants to the original purchaser that its products that prove to be defective in materials or workmanship within one year from the date of purchase will be repaired or replaced at Behlen Country's option, free of charge, F.O.B. closest plant location, U.S.A.

This warranty does **not** cover:

- Assemblages not made in accordance with installation instructions, and defects arising thereof.

- When the operation of the product varies from our operating instructions.
- Malfunction or defect resulting from misuse, negligence, alteration, accident, natural disasters, failure to reasonably care for, or lack of performance of required maintenance.
- Loss of time, inconvenience, loss-of-use of product, or any or all CONSEQUENTIAL DAMAGES.
- Use of the product in industrial application, or any application not involved in the business of farming or ranching.

## Service Parts Policy

1. Repair parts are provided for all current models.
2. Limited availability of common service parts for recently discontinued items.
3. Repair parts will not be manufactured for obsoleted equipment and can only be supplied subject to availability in inventory.
4. Proof of purchase and date of purchase are required.

---

## Record the information below for future reference

Model # \_\_\_\_\_

Date of Purchase \_\_\_\_\_

Serial # \_\_\_\_\_

Place of Purchase \_\_\_\_\_

## Specifications

Standard Duty Post Hole Digger - Model Number 80113000YEL	
Tractor Category	Cat 1 and Cat 2
Gear Box	2.92:1 Ratio; 2" output shaft
Horsepower	44
Driveline	Yoke fits 6-spline output shaft
Auger Dia. & Options	6", 9" & 12"
Boom & A-Frame	2-7/8" O.D. tubing
Safety Shields	On driveline, gearbox "U" Joint and gearbox output shaft
Shear Bolt	Replaceable, on output shaft, to protect driveline, auger and gears
Replacement Parts	Auger Cutting Tooth (2 ea.) on 6", 9" & 12" Augers
	Auger Tip for 6", 9" & 12"
Shipping Weight	174 Lbs. (less auger)