

# Horse Shelter 12' x 15'

## 76110678

**Hardware Kit**  
**76900228**

### THANK YOU FOR PURCHASING THIS PRODUCT

Behlen Country has been in the business of providing quality products for more than 80 years. Our products will provide many years of service when maintained by the owner and used in accordance with the capabilities of the product. For questions about this product, or for parts inquiries, please contact our Customer Service Center listed below.



### Check with local government authorities to determine if a building permit is required.

Sheeting used must conform to these or greater specifications as listed below:

#### Design Criteria

- Snow – 40 psf ground snow
- Wind – 90 MPH exposure C
- Loads calculated in accordance with the Uniform Building Code 94 Edition.

This shelter requires adequate anchoring to safely resist the design wind forces and to avoid injury to animals and others. **Behlen Mfg. Co. strongly recommends that you consult a qualified professional engineer to design the anchor for your specific application.**

Components for the Modular Shelter System as provided by Behlen Country, have been designed

for ground snow loads of up to 40 psf and winds up to 90 mph (Exposure "C"). The ability of these shelters to safely resist these conditions is dependant upon several factors beyond the manufacturer's control such as the uniformity of the soil bearing support and the adequacy of wind uplift anchorage.

These Modular Shelter Systems are not intended to serve as permanent building structures and should not be used as such. **(For these reasons, an engineering certification is not offered by Behlen Mfg. Co.)** Customers are responsible for verifying ground snow load and wind load requirements in the area in which the Modular Shelter Systems will be constructed.

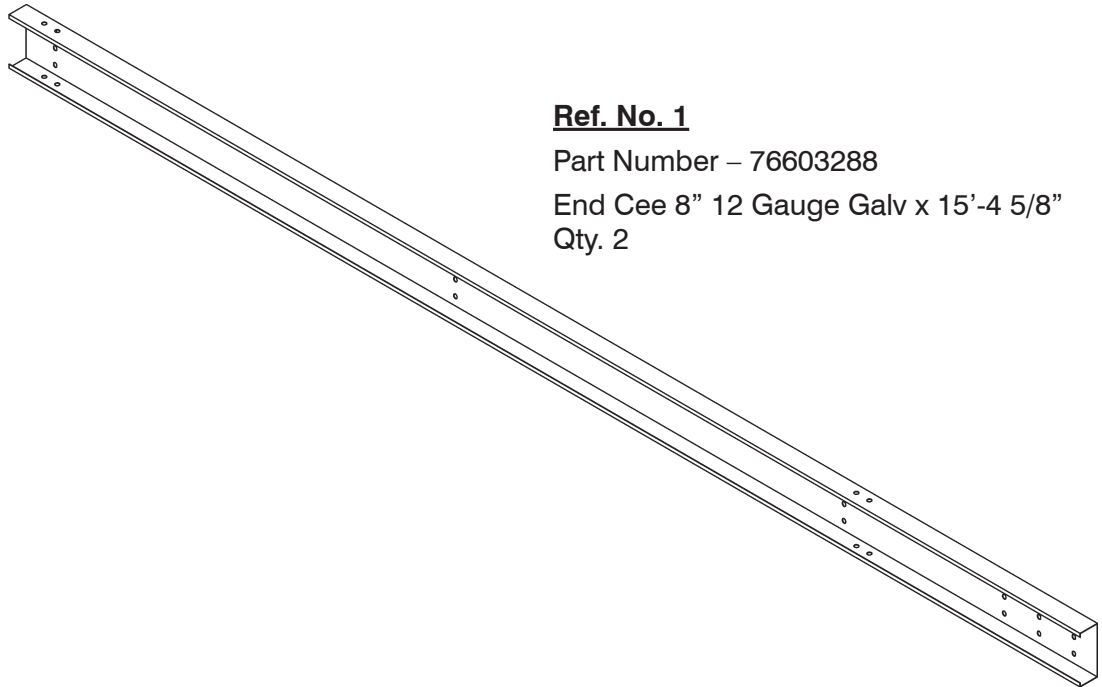
**Behlen<sup>®</sup>**  
**COUNTRY**

### CUSTOMER SERVICE CENTER

PO Box 569  
Columbus, NE  
68602-0569

Ph: 800-447-2751  
Fax: (402) 563-7447  
[www.behlencountry.com](http://www.behlencountry.com)

## Component List for 12' x 15' Horse Shelter

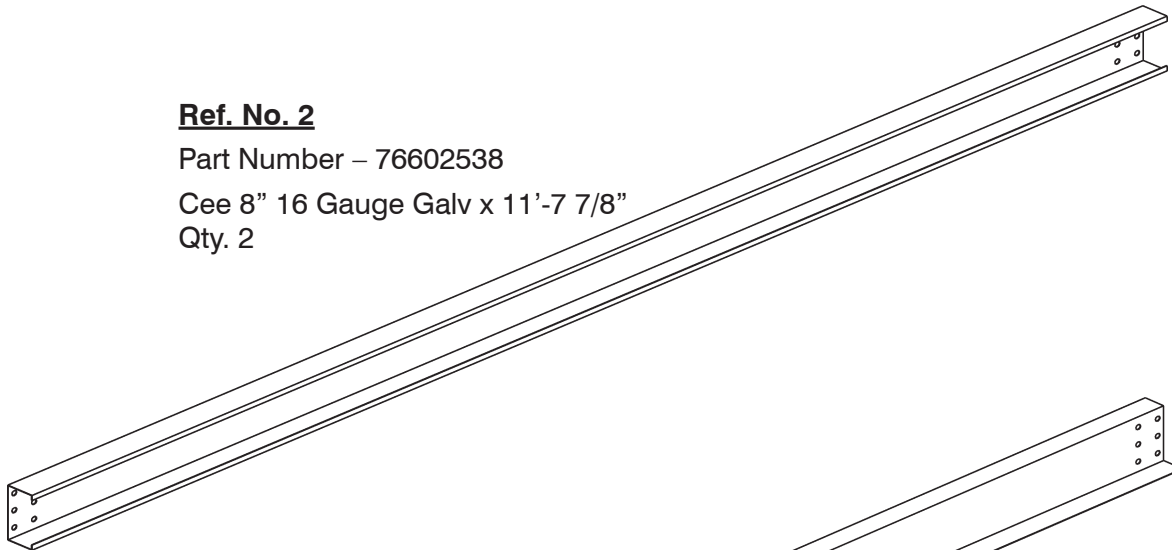


**Ref. No. 1**

Part Number – 76603288

End Cee 8" 12 Gauge Galv x 15'-4 5/8"

Qty. 2

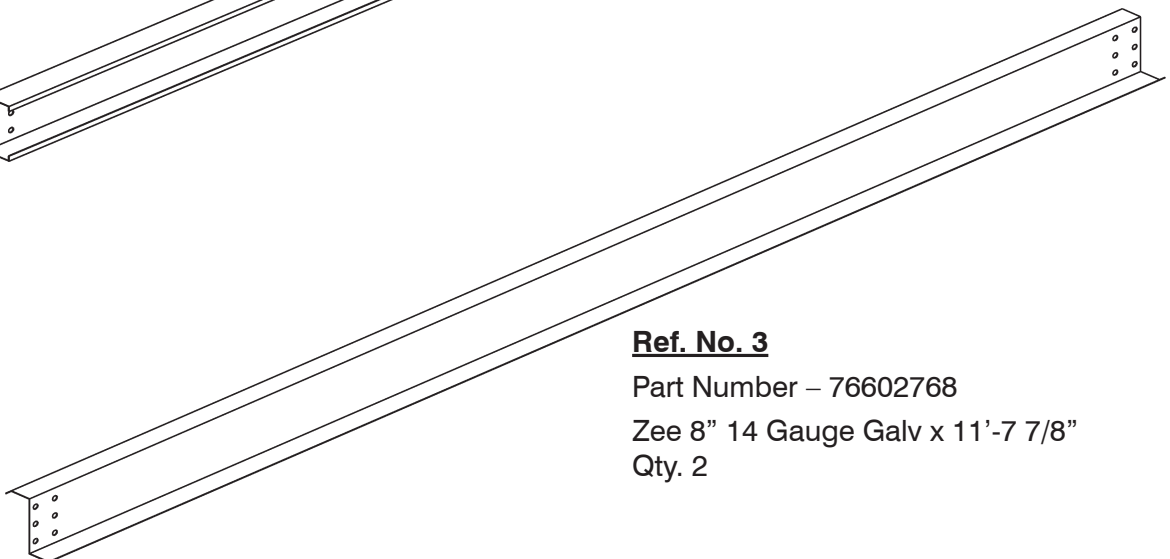


**Ref. No. 2**

Part Number – 76602538

Cee 8" 16 Gauge Galv x 11'-7 7/8"

Qty. 2



**Ref. No. 3**

Part Number – 76602768

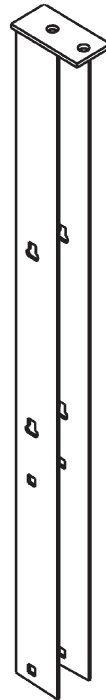
Zee 8" 14 Gauge Galv x 11'-7 7/8"

Qty. 2



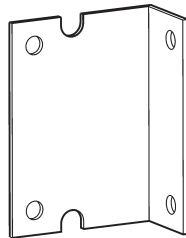
**Ref. No. 4**

Part Number –  
76400349  
Short Shelter Post –  
Hot-dipped Galvanized



**Ref. No. 5**

Part Number –  
76400359  
Tall Shelter Post  
– Hot-dipped  
Galvanized

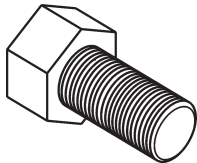


**Ref. No. 6**

Part Number – 76602558  
Side Channel “L” Clip – Galv.  
Qty. 8

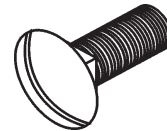
**Ref. No 7**

Part Number – 76900228  
Hardware Package for Horse Shelter



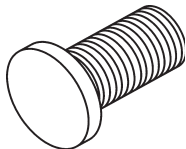
**Ref. No 7a**

Hex Head Cap Bolt  
1/2” x 1” Plated  
Qty. 24



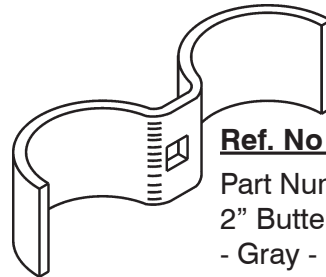
**Ref. No 7e**

Carriage Bolt  
3/8” x 1” Plated  
Qty. 8



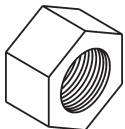
**Ref. No 7b**

Flat Round Head Bolt –  
1/2” x 1” Plated - Qty. 16



**Ref. No 7f**

Part Number – 76602507  
2” Butterfly Connector Half  
- Gray - Qty. 8 pair



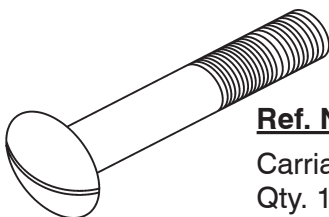
**Ref. No 7c**

Nut 1/2” Hex Grade A Plated  
Qty. 52



**Ref. No 7g**

Nut 3/8” – Flanged  
Whiz Lock – Plated  
Qty. 8



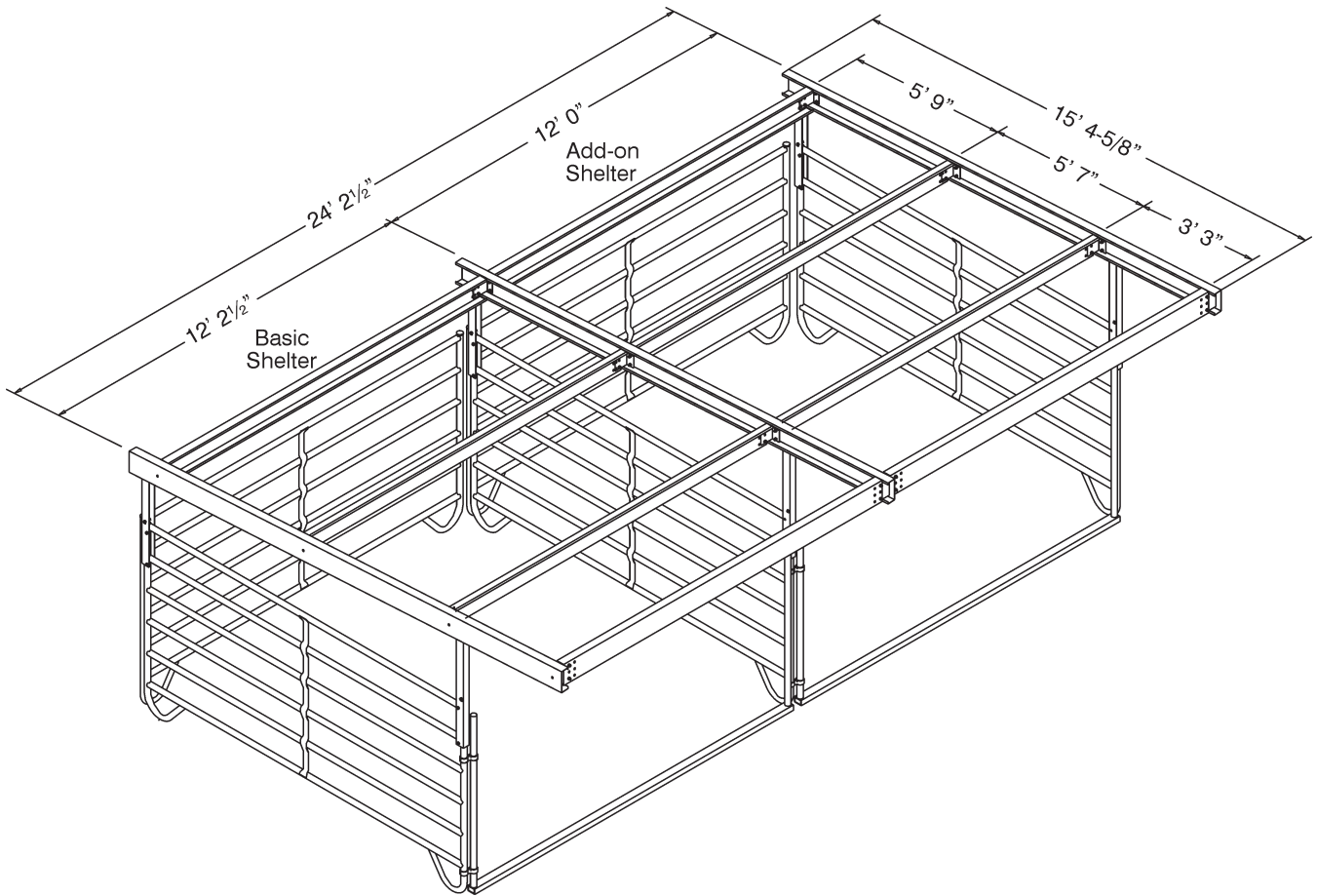
**Ref. No 7d**

Carriage Bolt 1/2” x 3” Plated  
Qty. 12

**Ref. No 7h**

Part Number – 76602837 (8 pair)  
Rubber Strip (Not Illustrated)  
Qty. 2

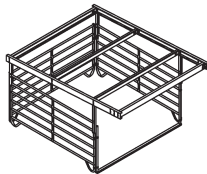
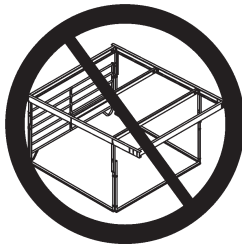
# Roof Dimensions



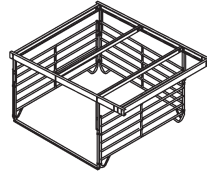
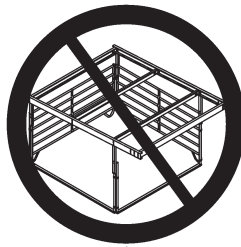
## Proper Use of 12' Open Support Brace #76110697 & 76110699



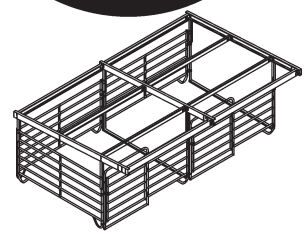
**CORRECT  
USAGE**



**CORRECT  
USAGE**



**CORRECT  
USAGE**



**CORRECT  
USAGE**

**NOTE: If you are planning on erecting an add-on section onto the shelter, read through both the instructions. This will eliminate rework.**

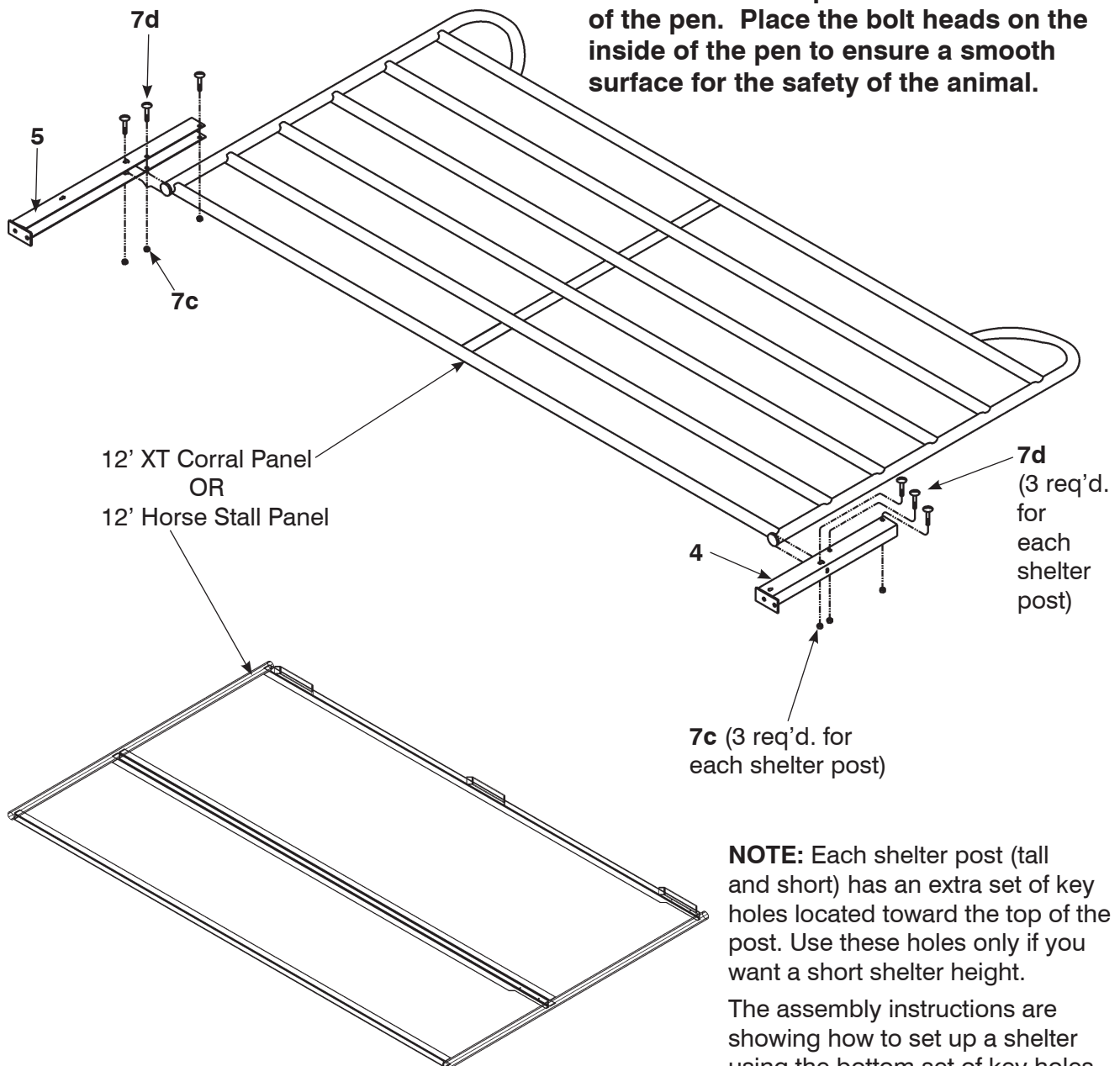
If sheeting will be installed, do not install it until all sections of the shelter are erected.

**Step 1**

- 1a For assembling ease, lay the panel down. Slide the tall shelter post (5) and the short shelter post (4) onto the vertical 2" tube. If assembling the shelter on a 12' XT Corral Panel, be sure the cap rests in the three slots provided on the shelter posts.
- 1b Fasten each shelter post (4 & 5) with three-1/2" x 3" plated carriage bolts (7d) and three-1/2" nuts (7c).

**NOTE:**

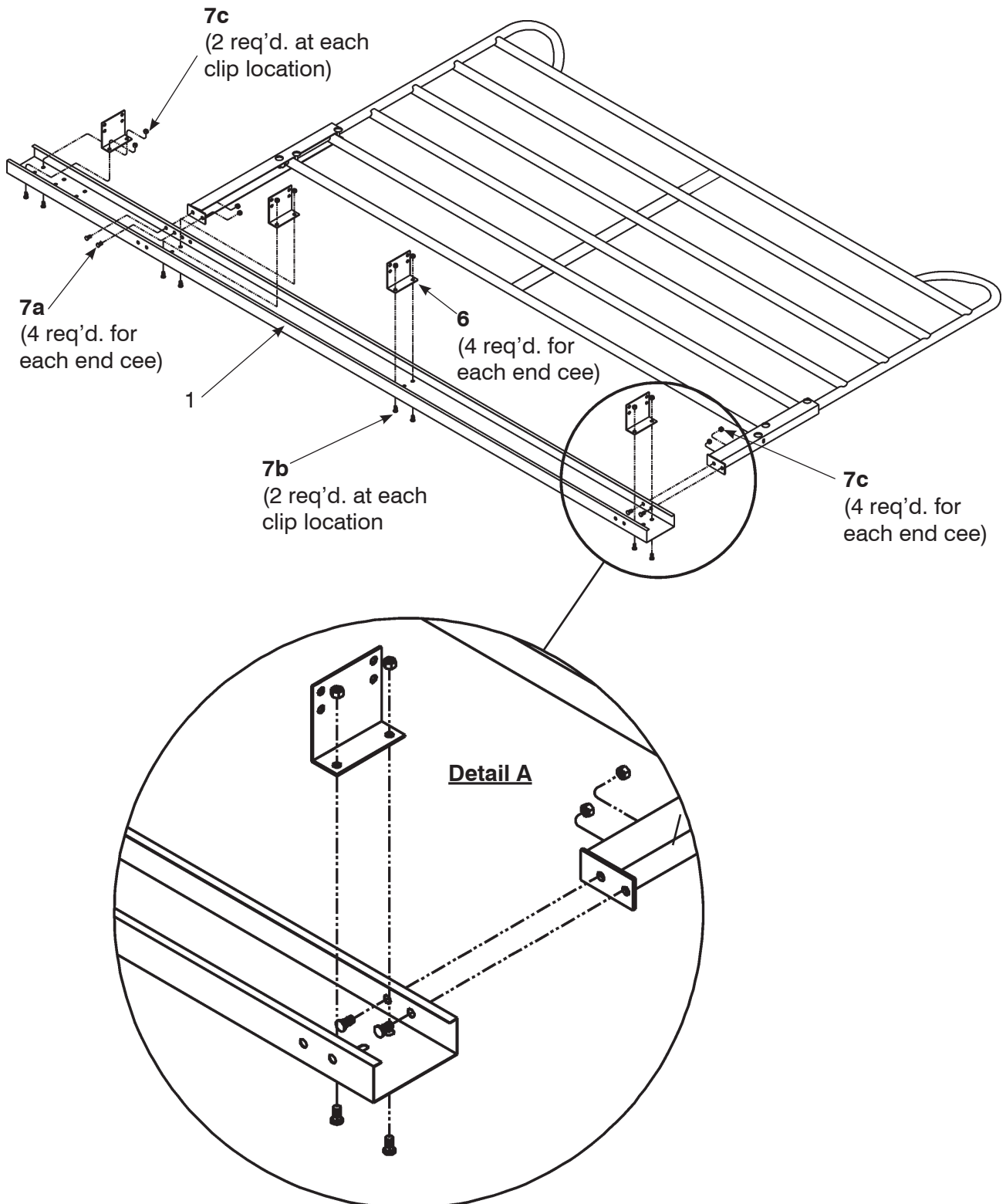
When fastening, keep in mind, which side of the corral panel will be the inside of the pen. Place the bolt heads on the inside of the pen to ensure a smooth surface for the safety of the animal.



**NOTE:** Each shelter post (tall and short) has an extra set of key holes located toward the top of the post. Use these holes only if you want a short shelter height. The assembly instructions are showing how to set up a shelter using the bottom set of key holes for the tall shelter height option.

## Step 2

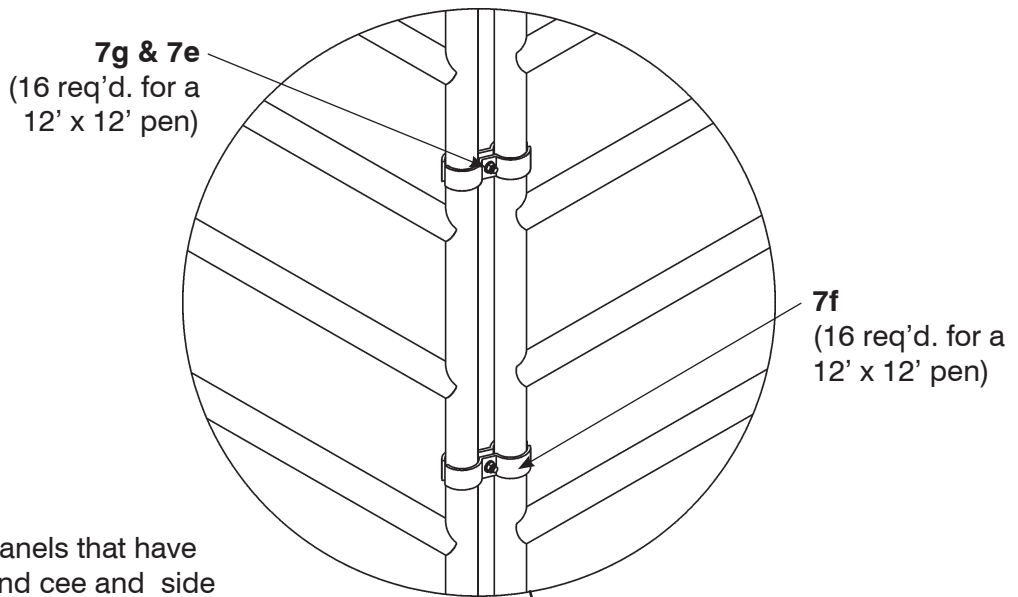
- 2a With the corral panel still lying down, assemble the end cee (1) to the shelter posts using four  $\frac{1}{2}$ " x 1" hex head bolts (7a) and two  $\frac{1}{2}$ " nuts (7c). Use the holes indicated on the illustration. When assembling end cee onto a horse stall, use the holes as indicated in Detail A.
- 2b Assemble the side channel clips (6) to the end cee using two  $\frac{1}{2}$ " x 1" flat round head bolts (7b) and two  $\frac{1}{2}$ " nuts (7c). Be sure to keep the bolt heads to the outside of the cee as shown. Position the clips in the direction as shown.



**Step 3**

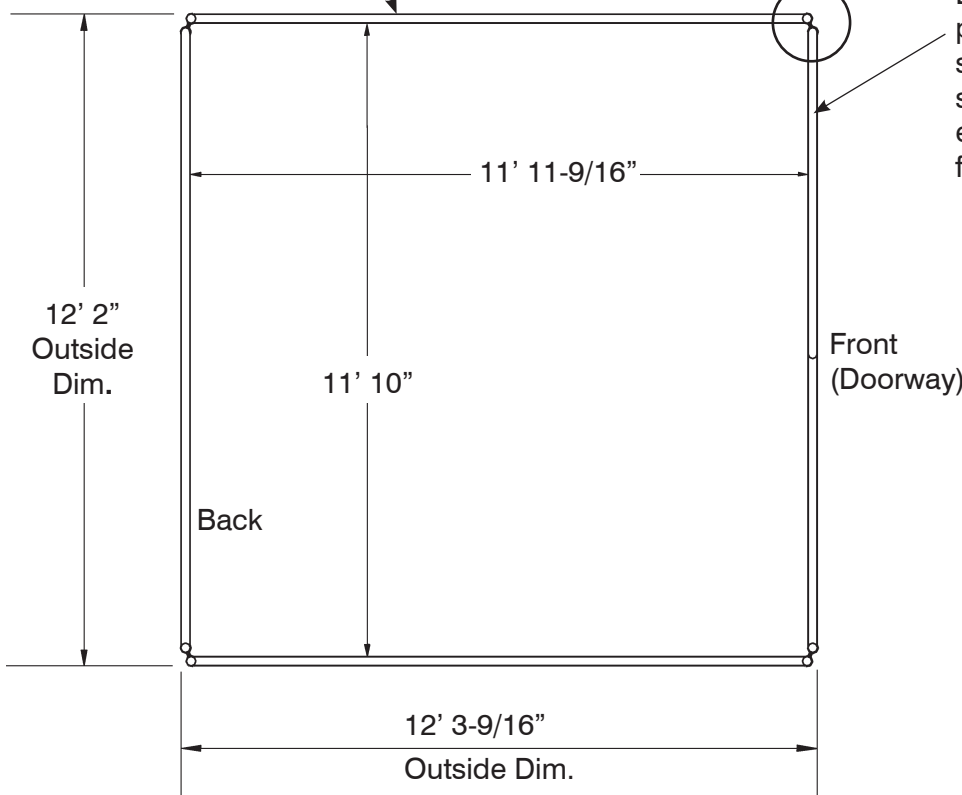
3a At this point, the structure can now be set in place. Two people are needed for this process for safety purposes. Place four 2" butterfly connector halves (7f) at each corner of the pen. Fasten the butterflies with one 3/8" x 1" carriage bolt (7e) and one 3/8" flanged whiz nut (7g). Make sure the bolt head is on the inside of the pen for a smooth edge near the animal. Do not fully tighten the butterflies. This will allow for adjustment of the pen. When attaching the butterflies, place one directly below the shelter post and one near the bottom of the panel.

3b Measure the pen to match the measurements provided in the illustration. After measuring and moving panels as necessary, tighten the butterflies in place.



The sides are the panels that have the shelter posts, end cee and side channel clips attached to it.

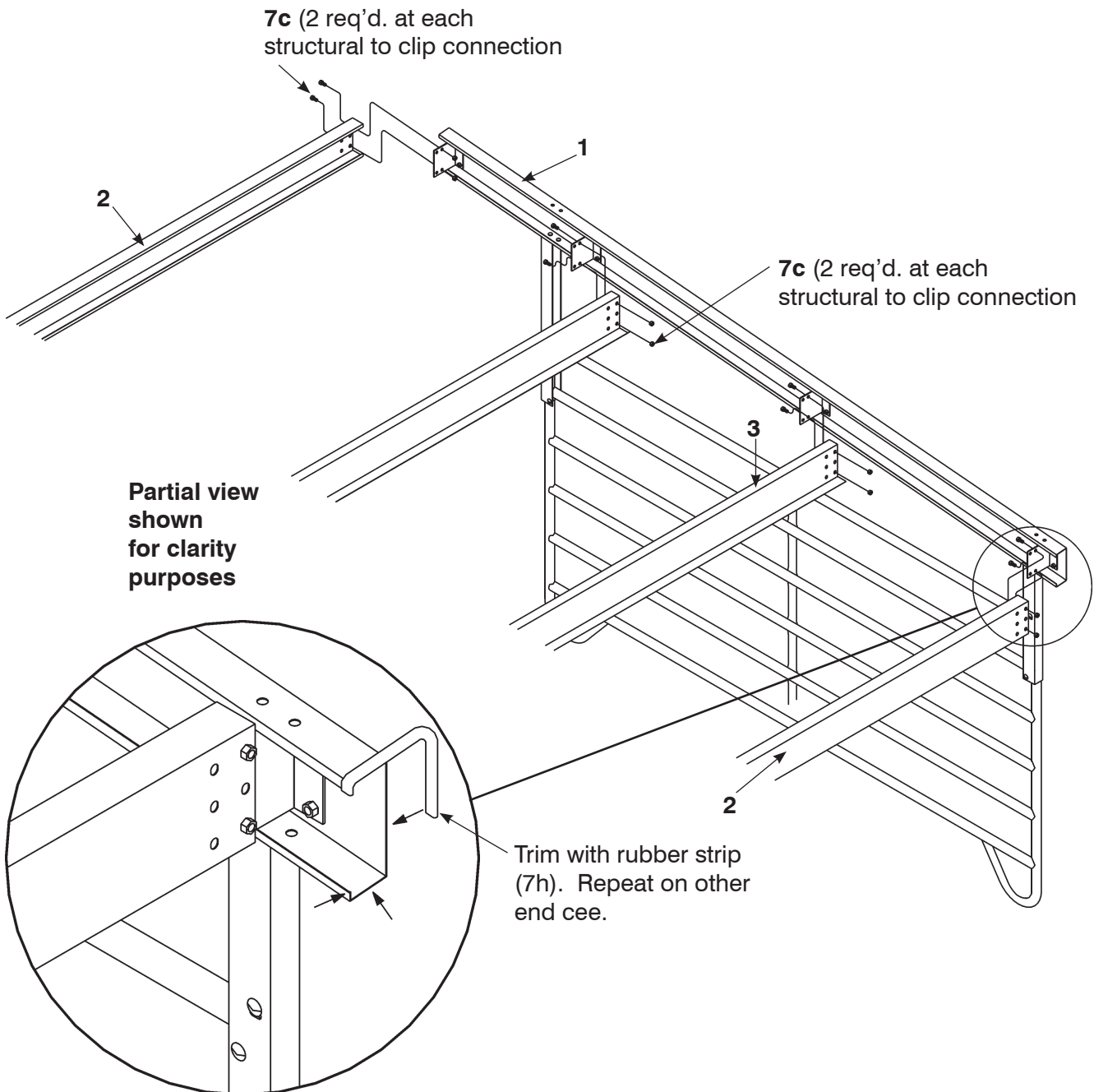
Be sure that the front panel is located on the side that contains the tall shelter posts. This will ensure enough clearance for you and the animal.



#### Step 4

Once the pen is set in place, it is now time to assemble the interior cees and zee. Two people are needed for this process for safety purposes.

- 4a To begin, start on the low side. Lift the 8-inch cee (2) up to the bottom clips and rest on the side channel clips. Be sure that the 8-inch cee (2) is positioned as shown on the illustration. The open face of the 8-inch cees has to face into the pen. Fasten at each end with two-1/2" x 1" hex head bolts (7a) and two-1/2" nuts (7c).
- 4b Follow the same instructions for the 8-inch zee (3) and the high side 8-inch cee (2). Make note of the position to ensure proper assembly.
- 4c Insert the rubber strip (7h) around the entire end of the end cee on the low side. See Detail B. Cut any excess rubber strip off. Repeat this process for the other side. This will take away any sharp edge that could endanger your animal.

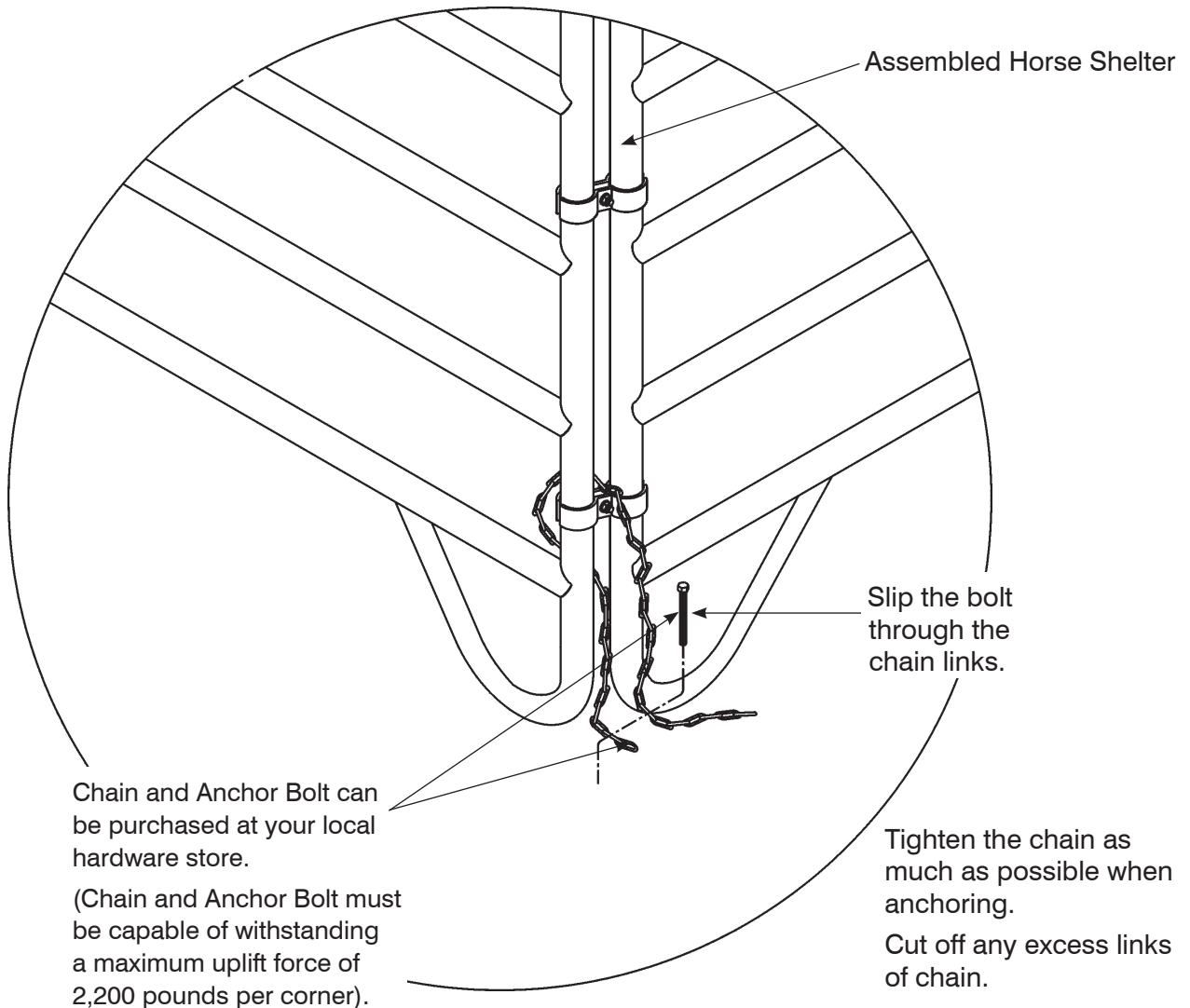




### Anchoring the Assembled Horse Shelter

The assembled horse shelter **will** require anchoring. When anchoring into concrete, all materials will be supplied by the buyer and can be bought at any local hardware store. The shelter **must** be anchored at every corner. With a 90-MPH wind, an uplift force of 2,200 pounds per corner can be created.

#### Typical detail of installation in a concrete situation.



# Add-On for 12' x 15' Shelter System - 76110708

**Hardware Kit  
76900238**

## THANK YOU FOR PURCHASING THIS PRODUCT

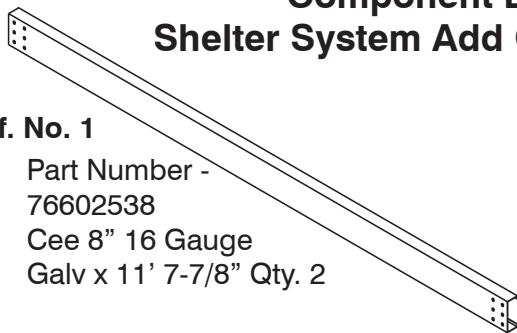
Behlen Country has been in the business of providing quality products for more than 80 years. Our products will provide many years of service when maintained by the owner and used in accordance with the capabilities of the product. For questions about this product, or for parts inquiries, please contact our Customer Service Center listed below.



### Component List for Shelter System Add On (12' x 15'):

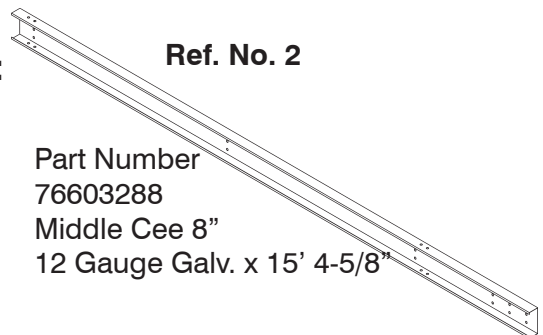
#### Ref. No. 1

Part Number -  
76602538  
Cee 8" 16 Gauge  
Galv x 11' 7-7/8" Qty. 2



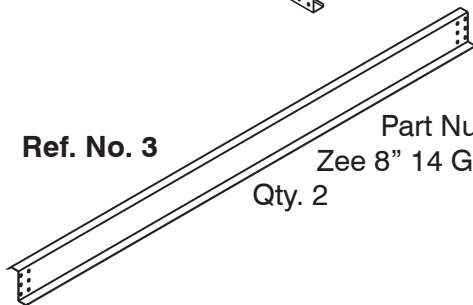
#### Ref. No. 2

Part Number  
76603288  
Middle Cee 8"  
12 Gauge Galv. x 15' 4-5/8"



#### Ref. No. 3

Part Number - 76602768  
Zee 8" 14 Gauge Galv. x 11' 7-7/8"  
Qty. 2

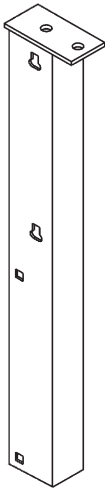


**Behlen<sup>®</sup>  
COUNTRY**

## CUSTOMER SERVICE CENTER

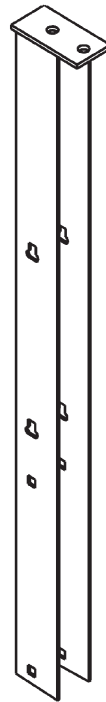
PO Box 569  
Columbus, NE  
68602-0569

Ph: 800-447-2751  
Fax: (402) 563-7447  
[www.behlencountry.com](http://www.behlencountry.com)



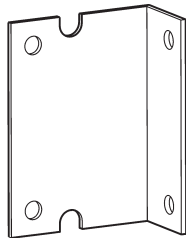
**Ref. No. 4**

Part Number –  
76400349  
Short Shelter Post –  
Hot-dipped Galvanized  
Qty. 1



**Ref. No. 5**

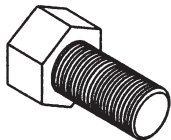
Part Number –  
76400359  
Tall Shelter Post  
– Hot-dipped  
Galvanized  
Qty. 1



**Ref. No. 6**

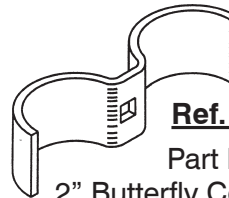
Part Number – 76602558  
Side Channel “L” Clip – Galv.  
Qty. 8

**Ref. No 7**  
**Part Number-76900238**  
**Hardware Package for Add On Shelter System**  
**Bags 1 of 2 and 2 of 2**



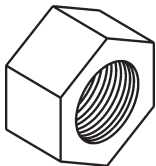
**Ref. No 7a**

Hex Head Cap Bolt  
1/2” x 1” Plated  
Qty. 20



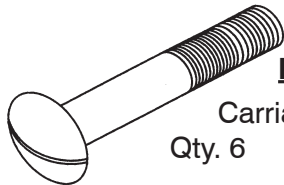
**Ref. No 7e**

Part Number – 76602507  
2” Butterfly Connector Half - Gray  
Qty. 16



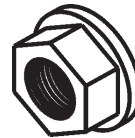
**Ref. No 7b**

Nut 1/2” Hex Grade A Plated  
Qty. 26



**Ref. No 7c**

Carriage Bolt 1/2” x 3” Plated  
Qty. 6



**Ref. No 7f**

Nut 3/8” – Flanged  
Whiz Lock – Plated  
Qty. 8



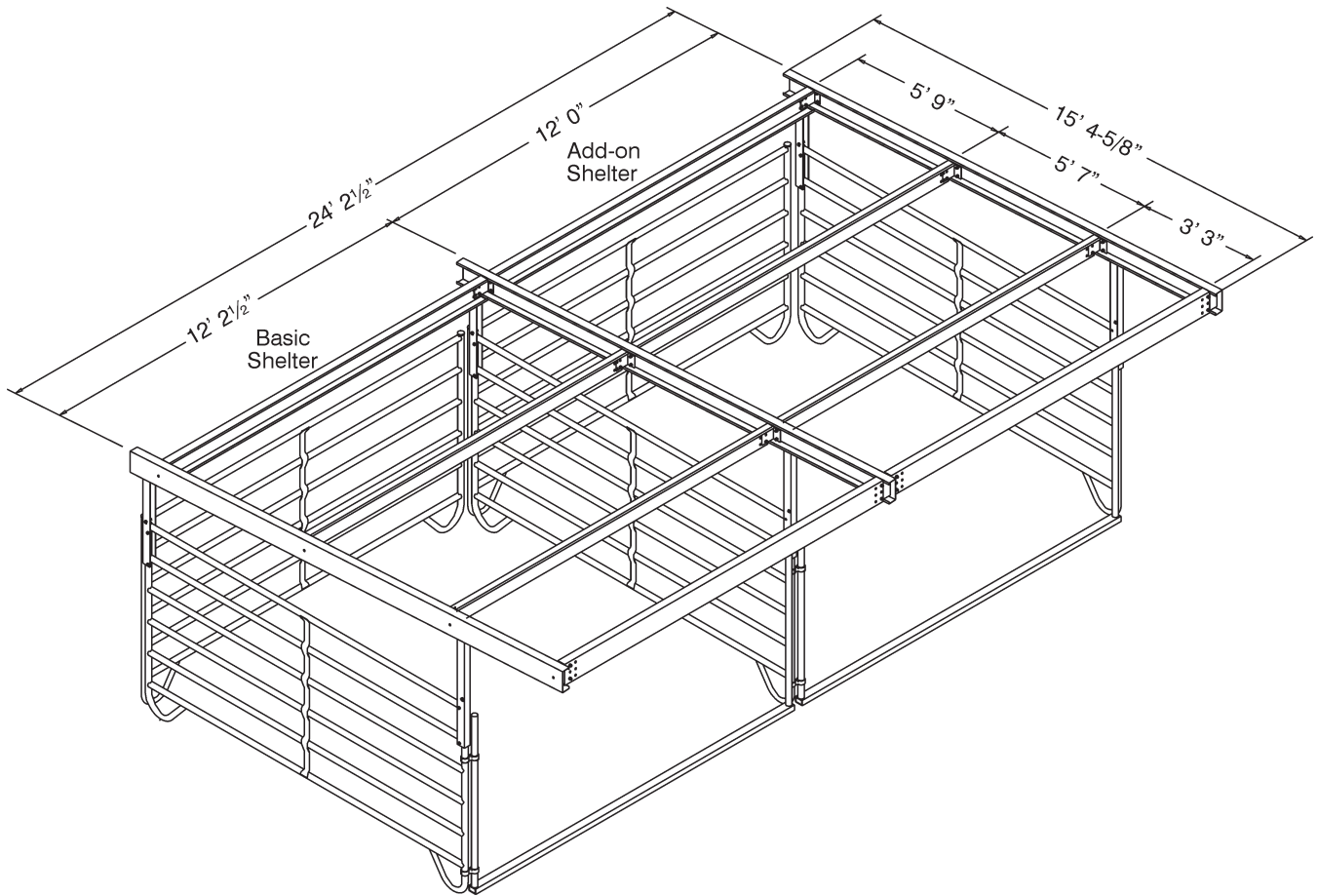
**Ref. No 7d**

Carriage Bolt 3/8” x 1” Plated  
Qty. 8

**Ref. No 7g**

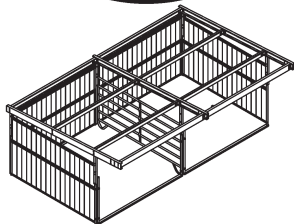
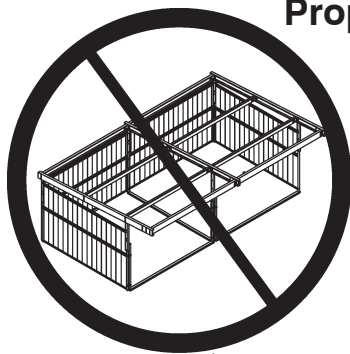
Part Number – 76602837 (8 pair)  
Rubber Strip (Not Illustrated)

# Roof Dimensions

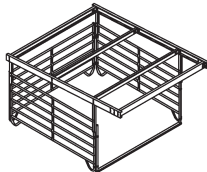
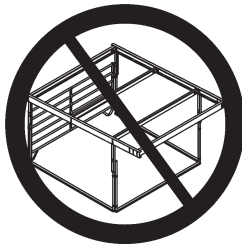


## Proper Use of 12' Open Support Brace

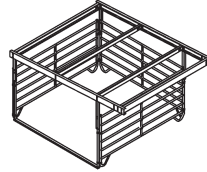
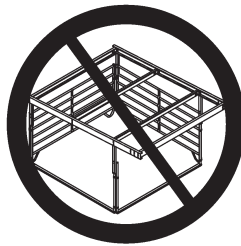
#76110697 & 76110699



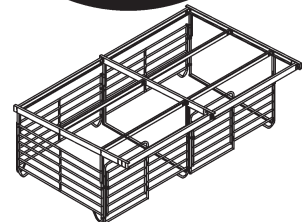
**CORRECT  
USAGE**



**CORRECT  
USAGE**



**CORRECT  
USAGE**



**CORRECT  
USAGE**

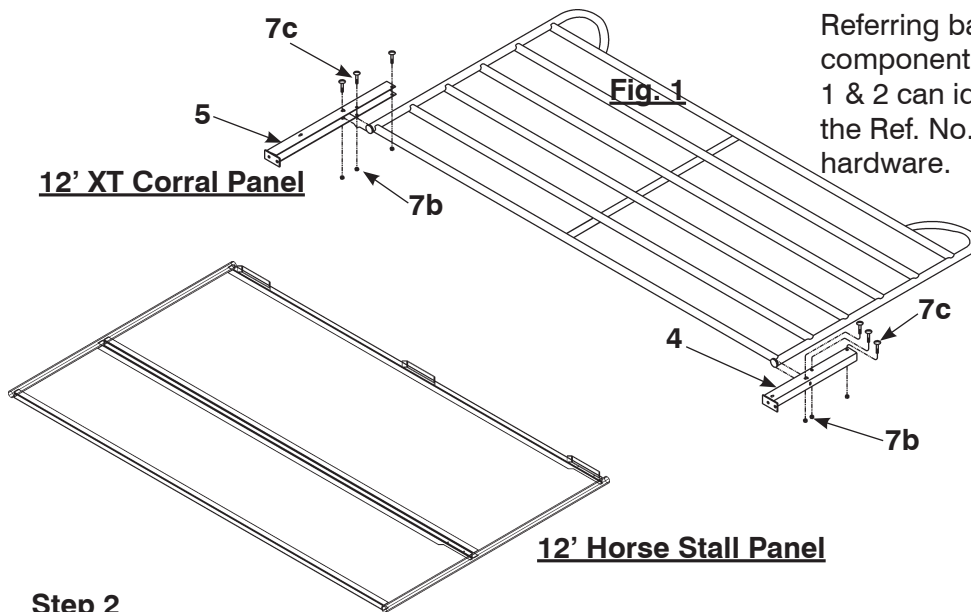
# Installation Instructions for Add On for 12' x 15' Shelter System

For placing two horse shelters together, **you will need to use the instructions that you received with the first unit as well as these instructions.** To save yourself extra work, read through both sets of instructions before you begin.

## Step 1

**1a** For assembling ease, lay the panel down. Slide the tall shelter post (5) and the short shelter post (4) onto the vertical 2" tubes. If assembling the shelter on a 12' XT Corral Panel, be sure that the cap of the panel rests in the three slots provided on the shelter post (see Fig 1).

**1b** Fasten each shelter post (4&5) with three 1/2" x 3" plated carriage bolts (7c) and three 1/2" nuts (7b).



Referring back to the component pages 1 & 2 can identify the Ref. No.s and hardware.

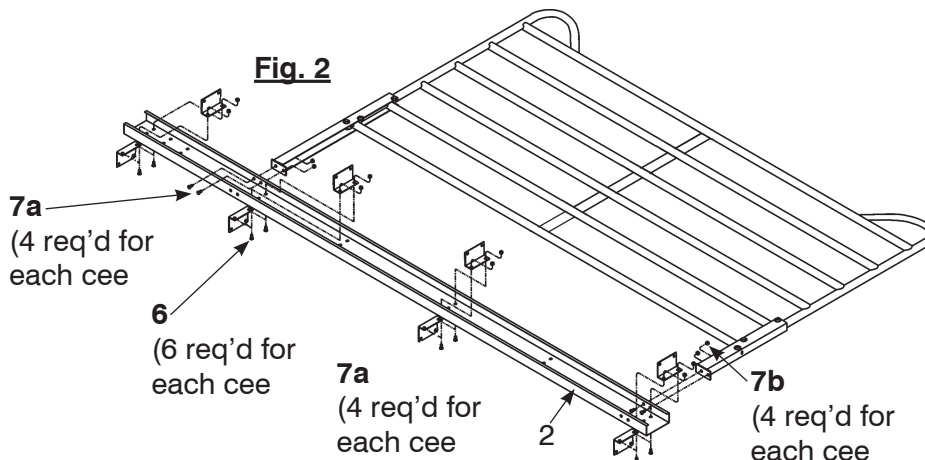
### Note:

When fastening, keep in mind which side of the corral panel will be on the inside of the pen and put the bolts on this side. This ensures a smooth surface in the animal's pen.

## Step 2

**2a** While the panels are still lying down, bolt the end cees (not illustrated) and middle cee to the shelter post on the panels. Line up the holes as shown in Fig. 2 for bolting the cee's onto the shelter post.

**2b** On the end cees, bolt the side channel clips on as described on the first instructions (these bolts are in the first package). On the middle cee, use eight (8) clips and fasten them to the channel using six 1/2" x 1" hex bolts (7a) and six 1/2" hex nuts (7b). **IMPORTANT: Position the clips as shown in the illustration.**



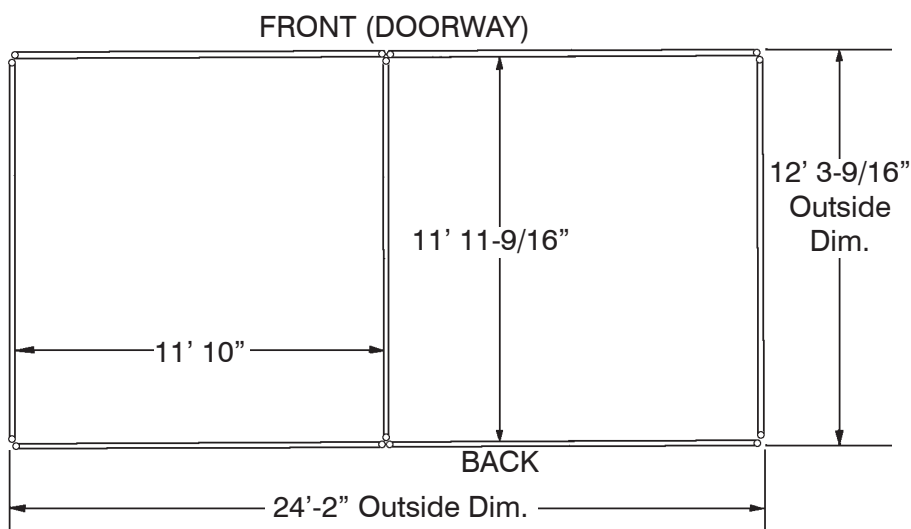
**NOTE:** Each shelter post (tall and short) has an extra set of key holes located toward the top of the post. Use these holes only if you want a short shelter height.

The assembly instructions are showing how to set up a shelter using the bottom set of key holes for a tall shelter height.

### STEP 3

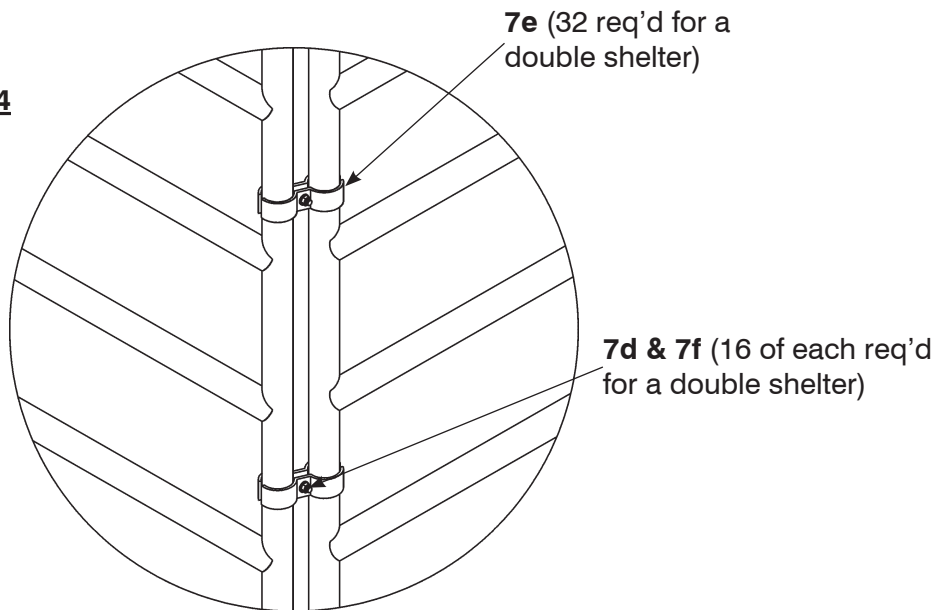
- 3a At this point, the structure can now be set upright. Two people are needed for this process for safety purposes. Make sure that when you put the middle and sides into place that the tall shelter posts are to the front side. Place four 2" butterfly connector halves (7e) at each corner of the pen - two directly below the shelter post and two near the bottom of the panel. Make sure to keep the bolt heads to the inside of the pen so that the horse will have a safe, smooth surface. Fasten the butterflies with one 3/8" x 1" carriage bolt (7d) and one 3/8" flanged whiz nut (7f). Do not fully tighten the butterflies. This will allow for adjustment of the pen once it is standing. Move the panels to the dimensions in Fig. 3.
- 3b After the panels have been moved into place and the corners squared, tighten the butterflies in place. Refer to Fig. 4 for quantities.

**Fig. 3**



Be sure that the front panels are located on the side that has the tall shelter posts. This will ensure enough clearance for you and the animal.

**Fig. 4**



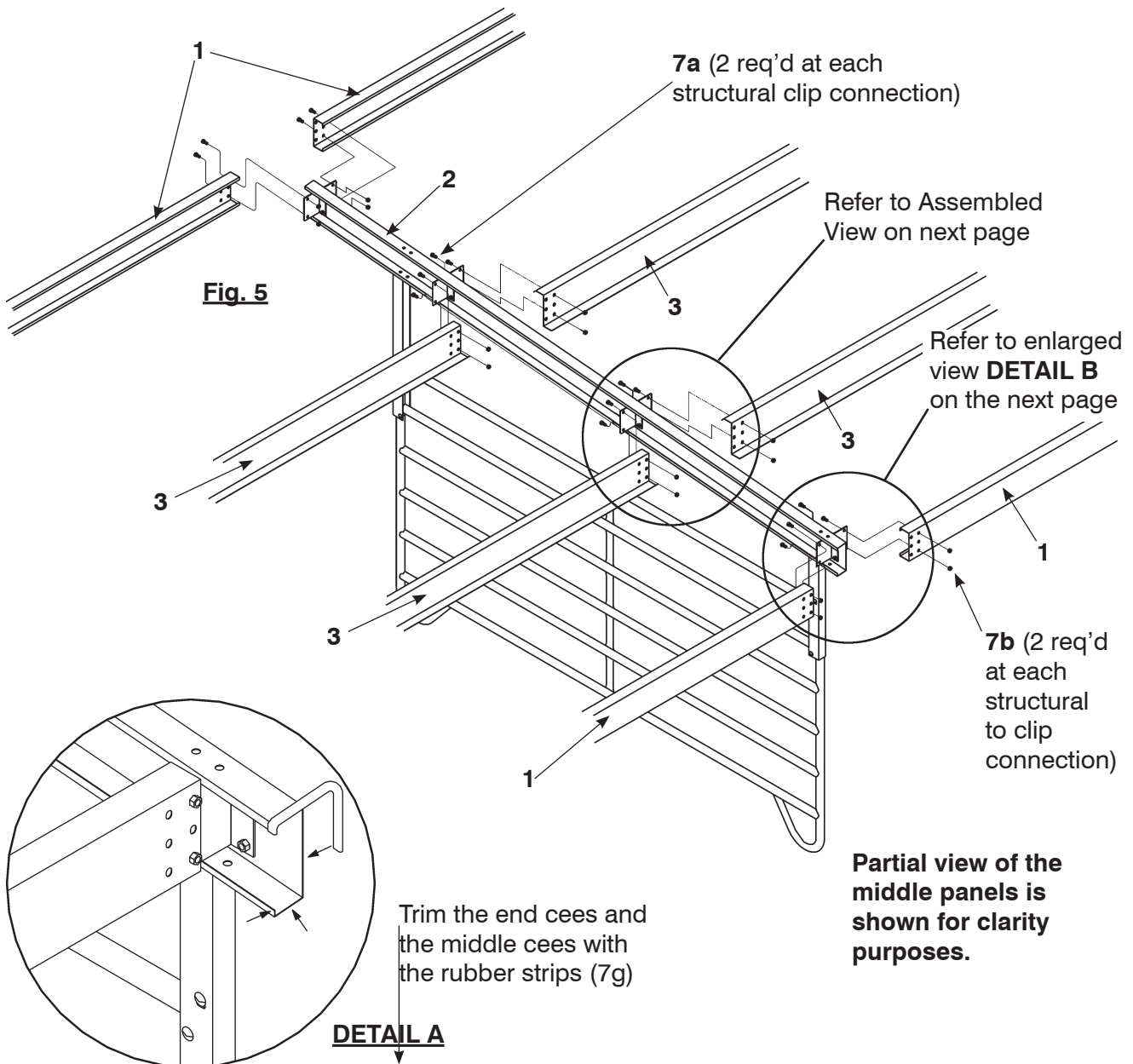
#### Step 4

Once the pens are set into place, it is time to assemble the cross member cees and zeos. Two people are needed for this process for safety purposes.

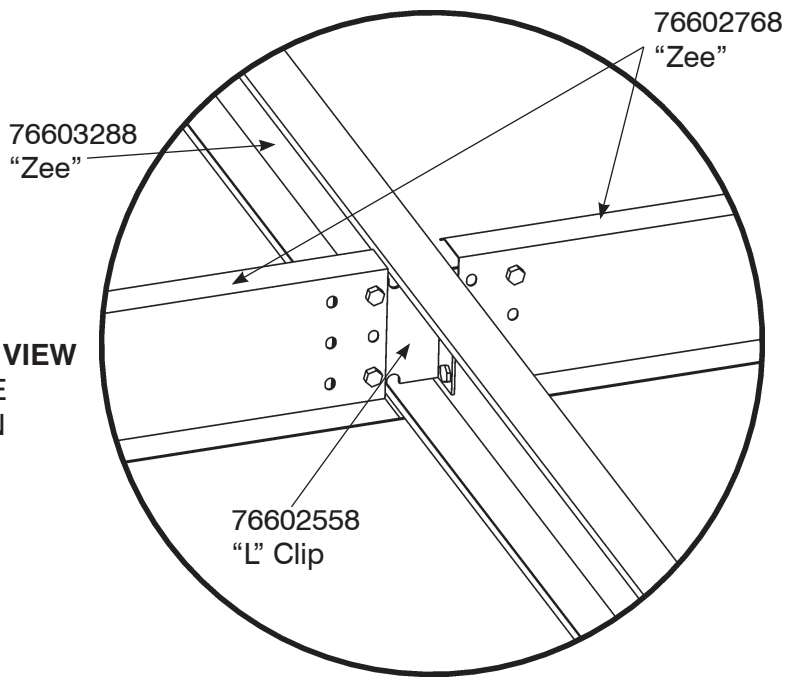
4a To begin, start on the low side. You can complete one side of the middle panel and then move over to the other side. Lift the 8" cee (1) up onto the bottom clips and rest them on the clips. The open face of the 8" cees have to face into the pen (refer to Fig 5). Fasten each end of the cees with two 1/2" x 1" hex head bolts (7a) and two 1/2" nuts (7b).

4b Follow the same instructions for the 8" zee (3) and the high side 8" cee. You can repeat steps 4a and 4b for doing the other side of the middle panel.

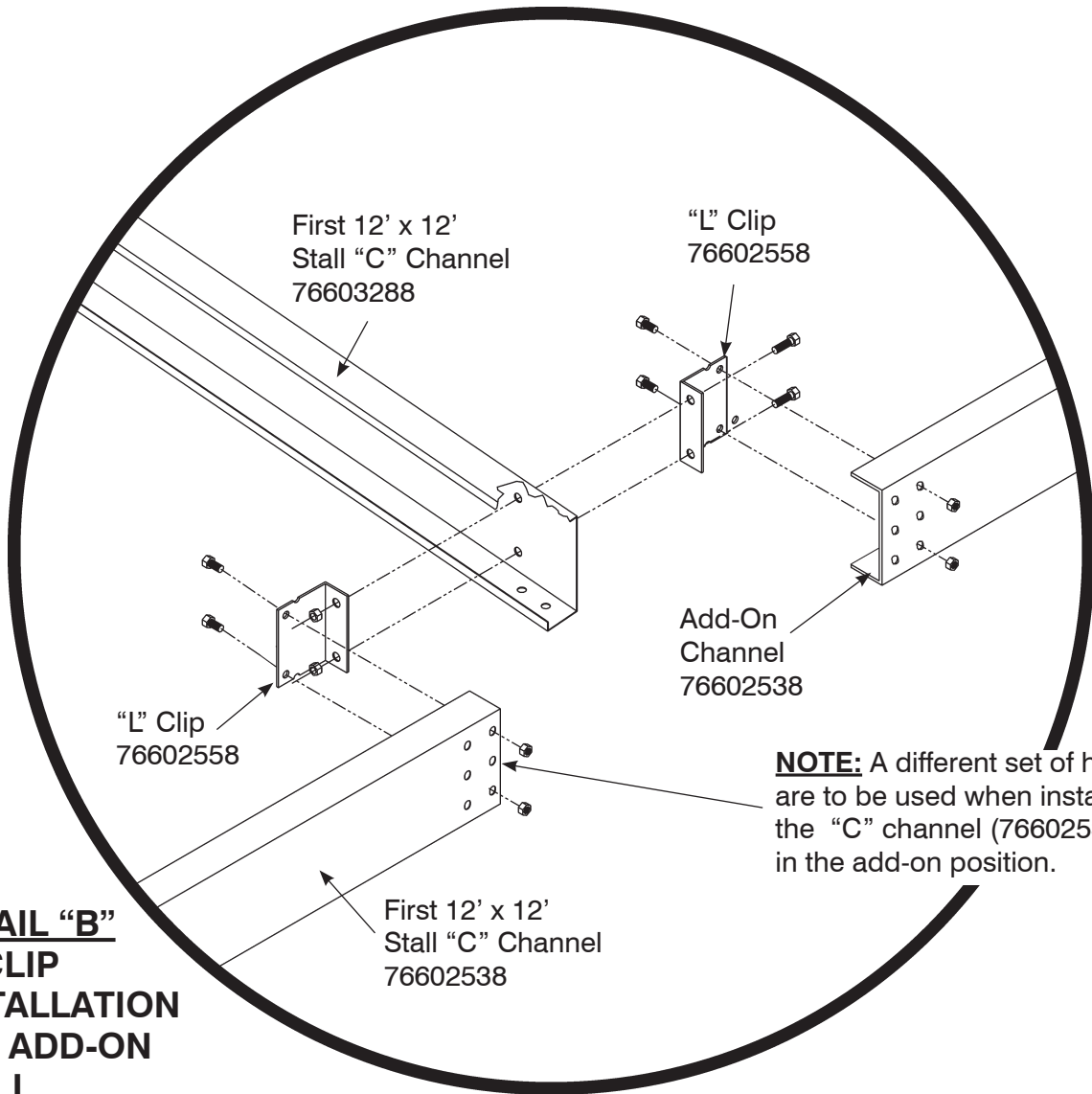
4c Now that you have all of the structural bracing in place you need to place the rubber strips (7g) around the low side of the middle and end cees (refer to Detail A). Cut the excess rubber off. This will take away any sharp edge that could injure your animal.



**ASSEMBLED VIEW  
OF "Z" BRACE  
CONNECTION**



**DETAIL "B"  
"L" CLIP  
INSTALLATION  
FOR ADD-ON  
STALL**



**NOTE:** A different set of holes are to be used when installing the "C" channel (76602538) in the add-on position.