

Add-On for 12' x 15' Shelter System - 76110708

**Hardware Kit
76900238**

THANK YOU FOR PURCHASING THIS PRODUCT

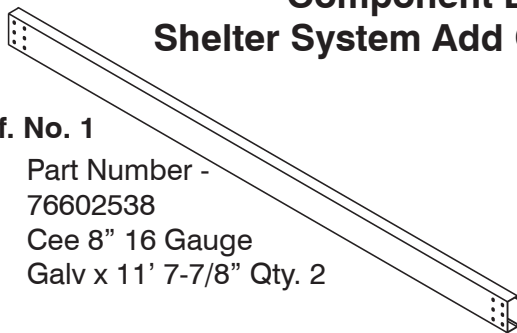
Behlen Country has been in the business of providing quality products for more than 80 years. Our products will provide many years of service when maintained by the owner and used in accordance with the capabilities of the product. For questions about this product, or for parts inquiries, please contact our Customer Service Center listed below.



Component List for Shelter System Add On (12' x 15'):

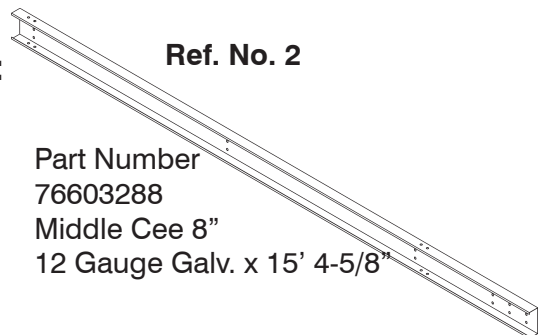
Ref. No. 1

Part Number -
76602538
Cee 8" 16 Gauge
Galv x 11' 7-7/8" Qty. 2



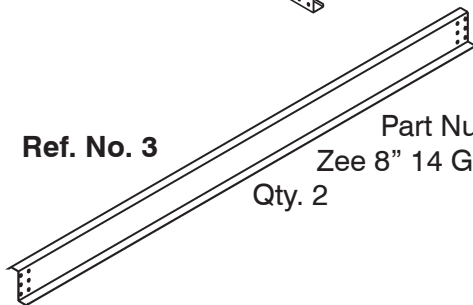
Ref. No. 2

Part Number
76603288
Middle Cee 8"
12 Gauge Galv. x 15' 4-5/8"



Ref. No. 3

Part Number - 76602768
Zee 8" 14 Gauge Galv. x 11' 7-7/8"
Qty. 2

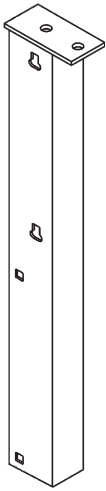


**Behlen[®]
COUNTRY**

CUSTOMER SERVICE CENTER

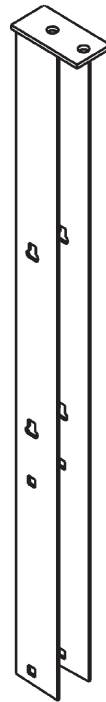
PO Box 569
Columbus, NE
68602-0569

Ph: 800-447-2751
Fax: (402) 563-7447
www.behlencountry.com



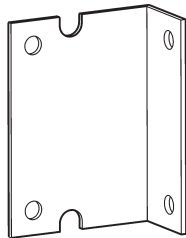
Ref. No. 4

Part Number –
76400349
Short Shelter Post –
Hot-dipped Galvanized
Qty. 1



Ref. No. 5

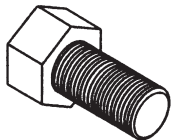
Part Number –
76400359
Tall Shelter Post
– Hot-dipped
Galvanized
Qty. 1



Ref. No. 6

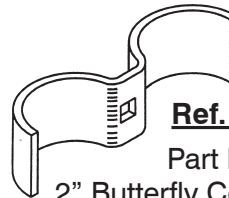
Part Number – 76602558
Side Channel “L” Clip – Galv.
Qty. 8

Ref. No 7
Part Number-76900238
Hardware Package for Add On Shelter System
Bags 1 of 2 and 2 of 2



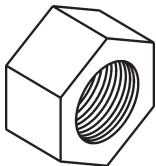
Ref. No 7a

Hex Head Cap Bolt
1/2” x 1” Plated
Qty. 20



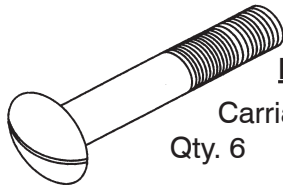
Ref. No 7e

Part Number – 76602507
2” Butterfly Connector Half - Gray
Qty. 16



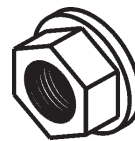
Ref. No 7b

Nut 1/2” Hex Grade A Plated
Qty. 26



Ref. No 7c

Carriage Bolt 1/2” x 3” Plated
Qty. 6



Ref. No 7f

Nut 3/8” – Flanged
Whiz Lock – Plated
Qty. 8



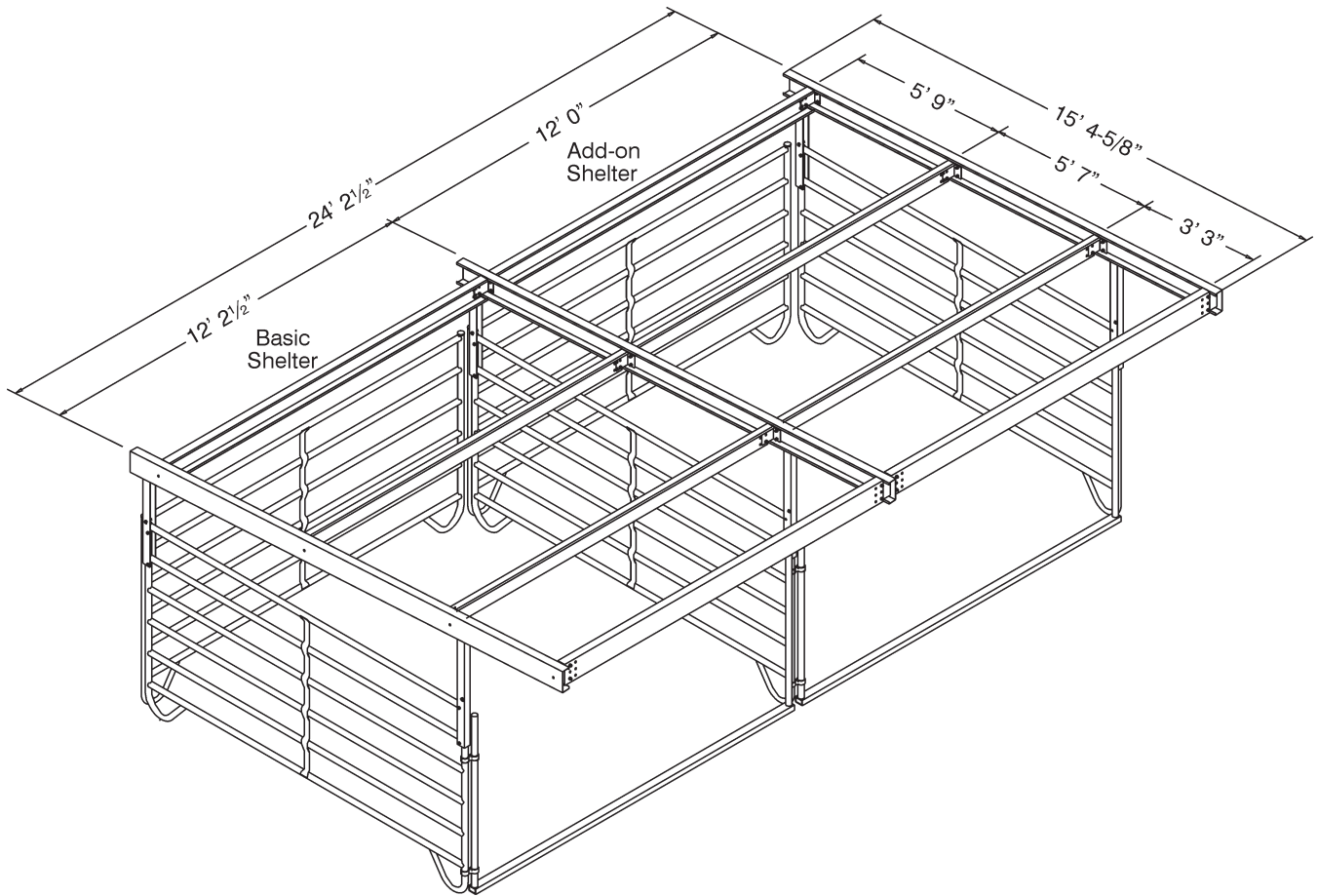
Ref. No 7d

Carriage Bolt 3/8” x 1” Plated
Qty. 8

Ref. No 7g

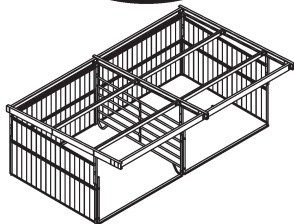
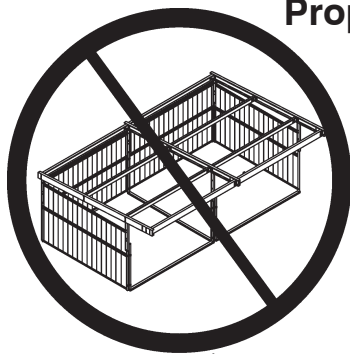
Part Number – 76602837 (8 pair)
Rubber Strip (Not Illustrated)

Roof Dimensions

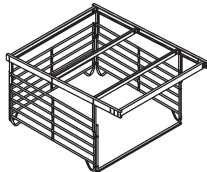
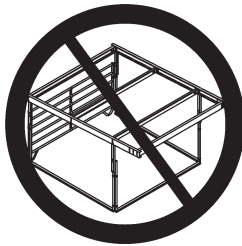


Proper Use of 12' Open Support Brace

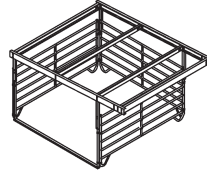
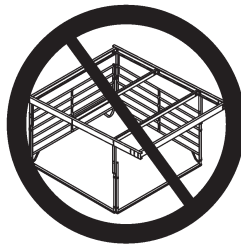
#76110697 & 76110699



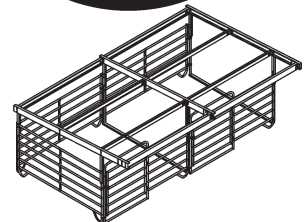
**CORRECT
USAGE**



**CORRECT
USAGE**



**CORRECT
USAGE**



**CORRECT
USAGE**

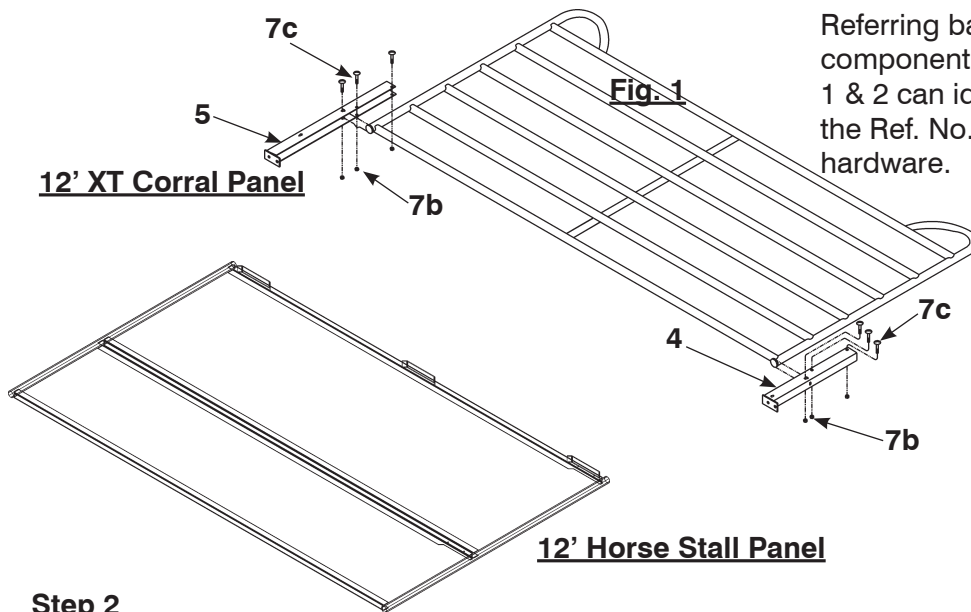
Installation Instructions for Add On for 12' x 15' Shelter System

For placing two horse shelters together, **you will need to use the instructions that you received with the first unit as well as these instructions.** To save yourself extra work, read through both sets of instructions before you begin.

Step 1

1a For assembling ease, lay the panel down. Slide the tall shelter post (5) and the short shelter post (4) onto the vertical 2" tubes. If assembling the shelter on a 12' XT Corral Panel, be sure that the cap of the panel rests in the three slots provided on the shelter post (see Fig 1).

1b Fasten each shelter post (4&5) with three 1/2" x 3" plated carriage bolts (7c) and three 1/2" nuts (7b).



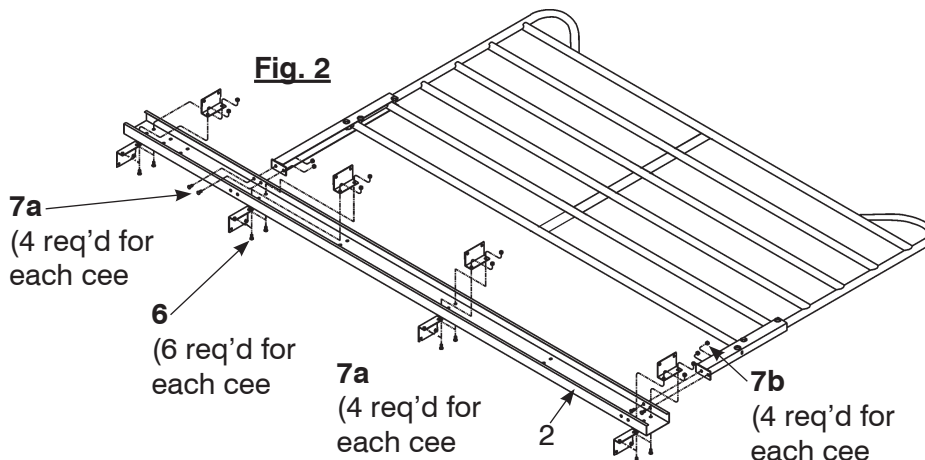
Note:

When fastening, keep in mind which side of the corral panel will be on the inside of the pen and put the bolts on this side. This ensures a smooth surface in the animal's pen.

Step 2

2a While the panels are still lying down, bolt the end cees (not illustrated) and middle cee to the shelter post on the panels. Line up the holes as shown in Fig. 2 for bolting the cee's onto the shelter post.

2b On the end cees, bolt the side channel clips on as described on the first instructions (these bolts are in the first package). On the middle cee, use eight (8) clips and fasten them to the channel using six 1/2" x 1" hex bolts (7a) and six 1/2" hex nuts (7b). **IMPORTANT: Position the clips as shown in the illustration.**



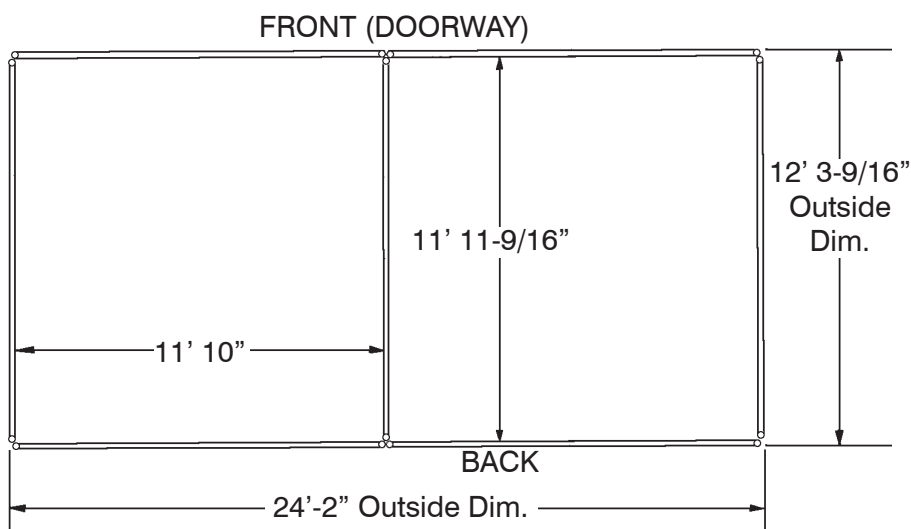
NOTE: Each shelter post (tall and short) has an extra set of key holes located toward the top of the post. Use these holes only if you want a short shelter height.

The assembly instructions are showing how to set up a shelter using the bottom set of key holes for a tall shelter height.

STEP 3

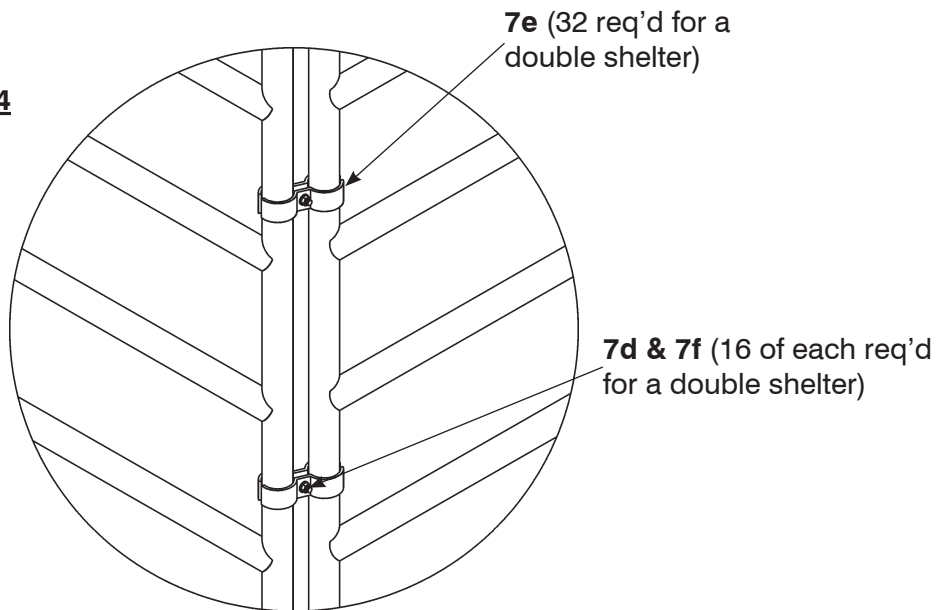
- 3a At this point, the structure can now be set upright. Two people are needed for this process for safety purposes. Make sure that when you put the middle and sides into place that the tall shelter posts are to the front side. Place four 2" butterfly connector halves (7e) at each corner of the pen - two directly below the shelter post and two near the bottom of the panel. Make sure to keep the bolt heads to the inside of the pen so that the horse will have a safe, smooth surface. Fasten the butterflies with one 3/8" x 1" carriage bolt (7d) and one 3/8" flanged whiz nut (7f). Do not fully tighten the butterflies. This will allow for adjustment of the pen once it is standing. Move the panels to the dimensions in Fig. 3.
- 3b After the panels have been moved into place and the corners squared, tighten the butterflies in place. Refer to Fig. 4 for quantities.

Fig. 3



Be sure that the front panels are located on the side that has the tall shelter posts. This will ensure enough clearance for you and the animal.

Fig. 4



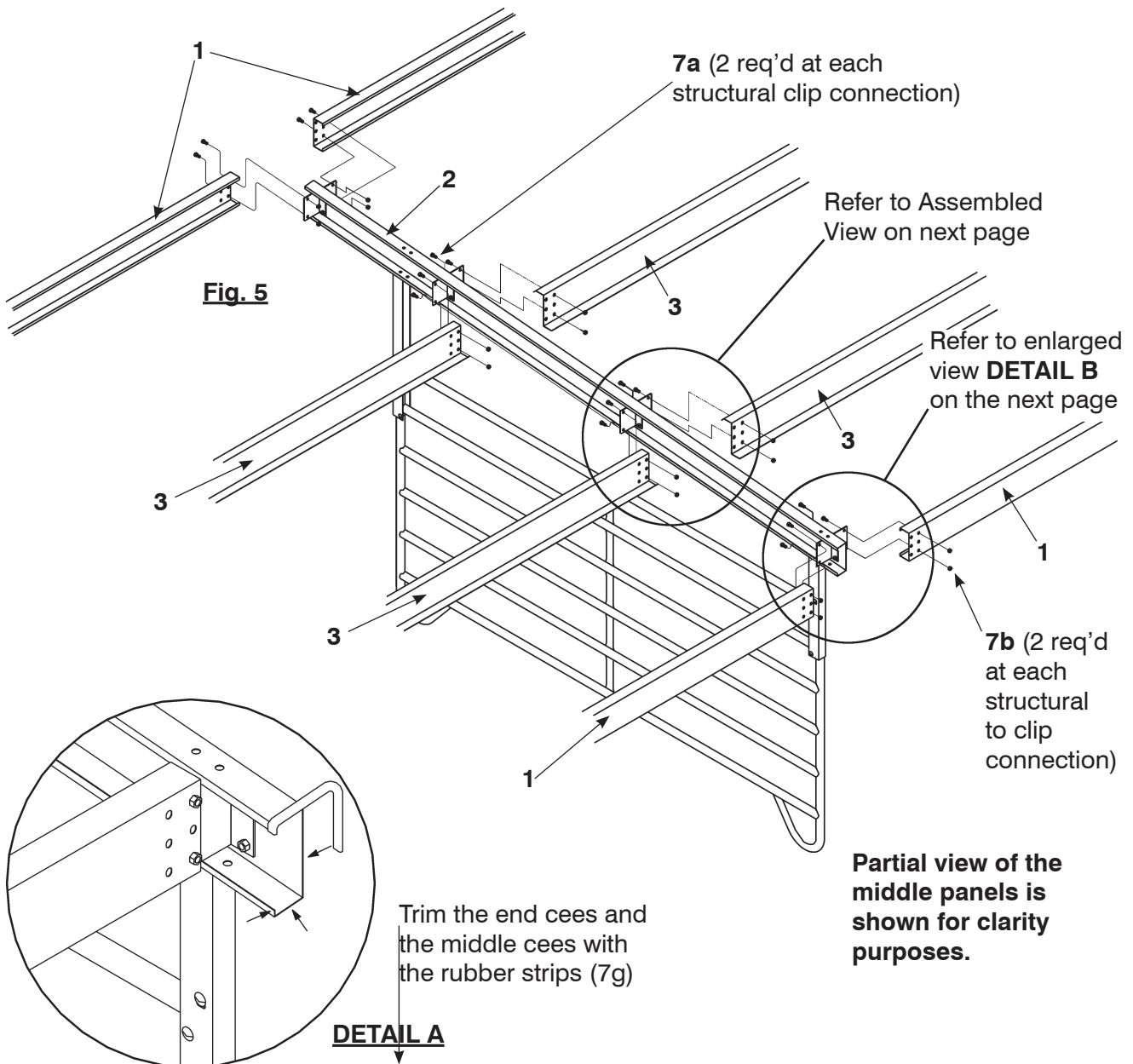
Step 4

Once the pens are set into place, it is time to assemble the cross member cees and zeos. Two people are needed for this process for safety purposes.

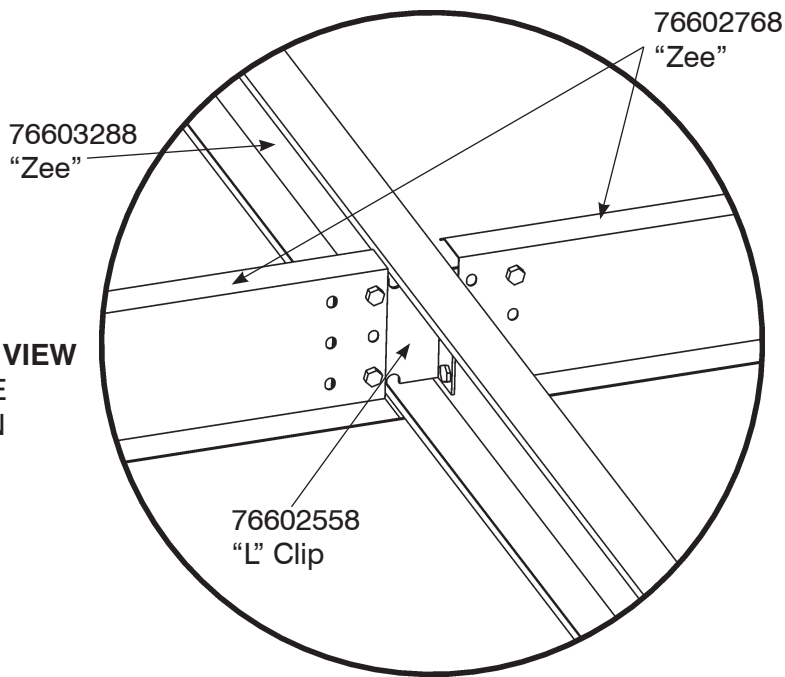
4a To begin, start on the low side. You can complete one side of the middle panel and then move over to the other side. Lift the 8" cee (1) up onto the bottom clips and rest them on the clips. The open face of the 8" cees have to face into the pen (refer to Fig 5). Fasten each end of the cees with two 1/2" x 1" hex head bolts (7a) and two 1/2" nuts (7b).

4b Follow the same instructions for the 8" zee (3) and the high side 8" cee. You can repeat steps 4a and 4b for doing the other side of the middle panel.

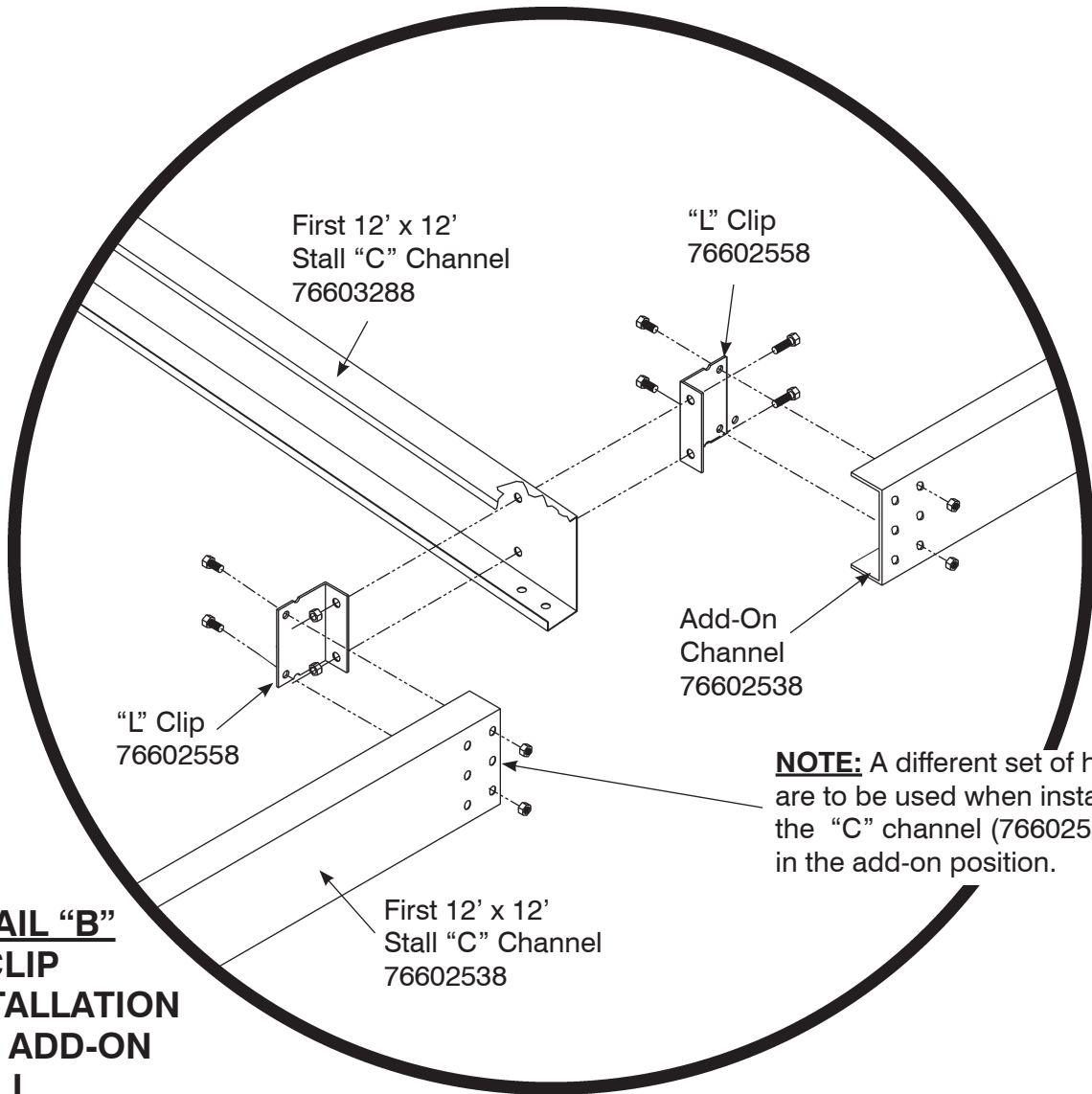
4c Now that you have all of the structural bracing in place you need to place the rubber strips (7g) around the low side of the middle and end cees (refer to Detail A). Cut the excess rubber off. This will take away any sharp edge that could injure your animal.



**ASSEMBLED VIEW
OF "Z" BRACE
CONNECTION**



**DETAIL "B"
"L" CLIP
INSTALLATION
FOR ADD-ON
STALL**



NOTE: A different set of holes are to be used when installing the "C" channel (76602538) in the add-on position.